



STANDARD FEATURES

- ▷ Heavy duty wormgear or planetary gearbox
- ▷ IP 54 braked motor 400 V AC / 3-phases / 50 Hz for planetary capstans
- ▷ IP 56 TENV cast iron 400 V AC / 3-phase / 50 Hz non-braked motor for on-deck wormgear capstans
- ▷ IP 54 400 V AC / 3 phases / 50 Hz non-braked motor for under-deck wormgear capstans
- ▷ Single speed and one direction only (electric capstans only)
- ▷ Orbital or radial piston type hydraulic motor
- ▷ Vertical cast iron warping head according to ISO 6482
- ▷ Three layer 2-component conservation according ISO 12944 category C4-High, colour RAL 5010

AVAILABLE OPTIONS

- ▷ Cast iron motor for planetary capstans
- ▷ Explosion proof motors
- ▷ Back stop bearing build in planetary gearbox for one direction (replaces brake)
- ▷ 2 speed motors
- ▷ Alternative speeds
- ▷ Alternative supply voltages
- ▷ Horizontal warping head configuration
- ▷ Marine / offshore coating systems

AVAILABLE CONTROL OPTIONS

- ▷ Control box IP 55 with IP 65 foot pedal (single speed, one direction) control built acc. to NEN 1010
- ▷ Control box IP 66 with IP 66 foot pedal (two speed, two directions) control built acc. to NEN 1010
- ▷ Frequency inverter and proportional foot pedal for variable speed control
- ▷ Proportional local or remote control valve (pneumatic or hydraulic)

MODEL WORM	WLL KG	SPEED 1st LAYER M/MIN	NECK DIA. MM	MAX ROPE DIA, MM	MOTOR POWER 400 V kW	PRESSURE DROP IN BAR	FLOW IN L/MIN
C 086 E	500	6	100	16	1.1	-	-
C 110 E	700	11	140	22	2.2	-	-
C 130 E	1100	9	140	22	3	-	-
C 150 E	1300	13	195	30	5.5	-	-
C 185 E	1700	10	195	30	5.5	-	-
C 086 H	500	8	100	16	-	70	20
C 110 H	700	8	140	22	-	105	15
C 130 H	1100	7	140	22	-	60	40
C 150 H	1300	10	195	30	-	90	40
C 185 H	1800	10	195	30	-	90	60

MODEL PLANETARY	WLL CONTINUOUS KG	SPEED M/MIN	NECK DIA. MM	RECOMMENDED ROPE DIA, MM	MOTOR POWER 400 V kW	PRESSURE DROP IN BAR	FLOW IN L/MIN
C 300 E	1000	12	195	30	2.2	-	-
C 301 E	1650	10	195	30	3	-	-
C 303 E	2300	10	195	30	4	-	-
C 305 E	3400	9	275	35	5.5	-	-
C 307 E	5500	11	405	52	11	-	-
C 309 E	7500	11	405	52	15	-	-
C 310 E	10000	8	450	75	15	-	-
C 300 H	1000	30	195	30	-	135	30
C 301 H	1650	28	195	30	-	195	30
C 303 H	2600	18	195	30	-	215	40
C 305 H	4000	17	275	35	-	185	75
C 307 H	6000	25	405	52	-	220	105
C 309 H	7580	20	405	52	-	205	120
C 310 H	10000	17	450	75	-	230	120

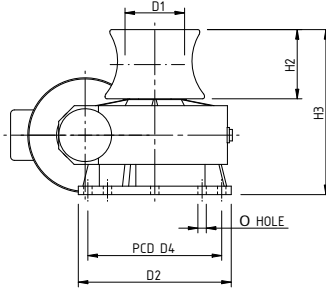
Information subject to change without notice

C SERIES CAPSTAN WINCH

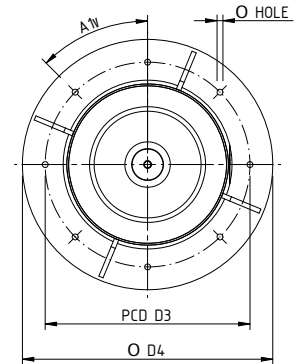
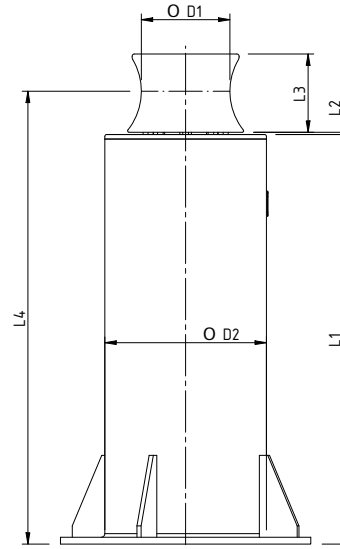
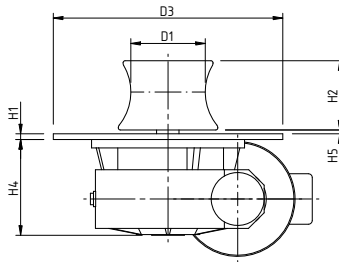


RED ROOSTER LIFTING

C 086 - C 185
on deck



C 086 - C 185
below deck



C 300 - C 310

MODEL	MASS KG	D1	D2	D3	D4	H1	H2	H3	H4	H5	HOLE Ø
C 086	50	100	210	300	176	10	130	320	190	10	8 x 12.5
C 110	70	140	280	390	230	10	130	350	209	10	8 x 13.5
C 130	90	140	320	420	255	15	130	360	230	10	8 x 16
C 150	130	195	350	450	290	15	180	415	245	10	8 x 18
C 185	170	195	400	500	350	15	180	440	251	10	8 x 22
MODEL	MASS KG	D1	D2	D3	D4	L1	L2	L3	L4	A1	HOLE Ø
C 300	225	195	355	450	550	900	5	181	1004	8 x 45	13
C 301	225	195	355	450	550	900	5	181	1004	8 x 45	13
C 303	275	195	406	500	600	1000	5	181	1104	12 x 30	18
C 305	405	275	455	570	650	1100	5	255	1246	12 x 30	18
C 307	870	405	610	700	800	1300	5	320	1487	12 x 30	18
C 309	930	405	610	720	825	1300	5	320	1487	12 x 30	22
C 310	1095	405	711	840	950	1300	5	500	1636	10 x 36	27

All measurements are in mm



Images for illustration purposes only

RED ROOSTER LIFTING

Nauta House, The Meadows
Oldmeldrum, Aberdeenshire
United Kingdom, AB51 0EZ

T: +44 (0) 1651 872101
E: sales@redroosterlifting.com
W: www.redroosterlifting.com