



**RED ROOSTER
LIFTING**

RAISING EXPECTATIONS

RRI-S25 SELF-INDICATING LOAD CELL

The **RRI-S25** is a 25 tonne load cell from Red Rooster Lifting's self indicating range. The cells range in capacity from 5 tonne to 25 tonne.



Our RRI-S range of self-indicating load cell products has been developed from our well proven SWL range to meet the ever increasing requirements of our customers. The cells range in capacity from 5 tonne to 25 tonne, and are manufactured from low weight, high strength duralloy. All load cells are proof loaded to 150% of the rated capacity and have a safety factor of 5:1 (minimum) and IP65 ingress protection.

STANDARD FEATURES

- 11mm liquid crystal display
- Self-diagnostic (diagnoses fault with error code)
- Non-corruptible single point calibration
- 6 x "AA" Alkaline batteries
- Up to 24 hours** continuous use
- Robust carry case

***Depending on charge and conditions*

AVAILABLE OPTIONS

- Rechargeable Lithium battery with charger

FUNCTIONS

- On/Off
- Tare
- Push button zero
- Low battery indicator
- Restricted access for programming
- Peak hold
- Select units in lbs, kg, tonne or US Tons

T: +44 (0) 1651 872101
sales@redroosterlifting.com

REDROOSTERLIFTING.COM

Red Rooster Lifting Limited Nauta House, The Meadows, Oldmeldrum, Inverurie, Aberdeenshire, UK, AB51 0EZ



RRI-S25 SELF-INDICATING LOAD CELL

RAISING EXPECTATIONS

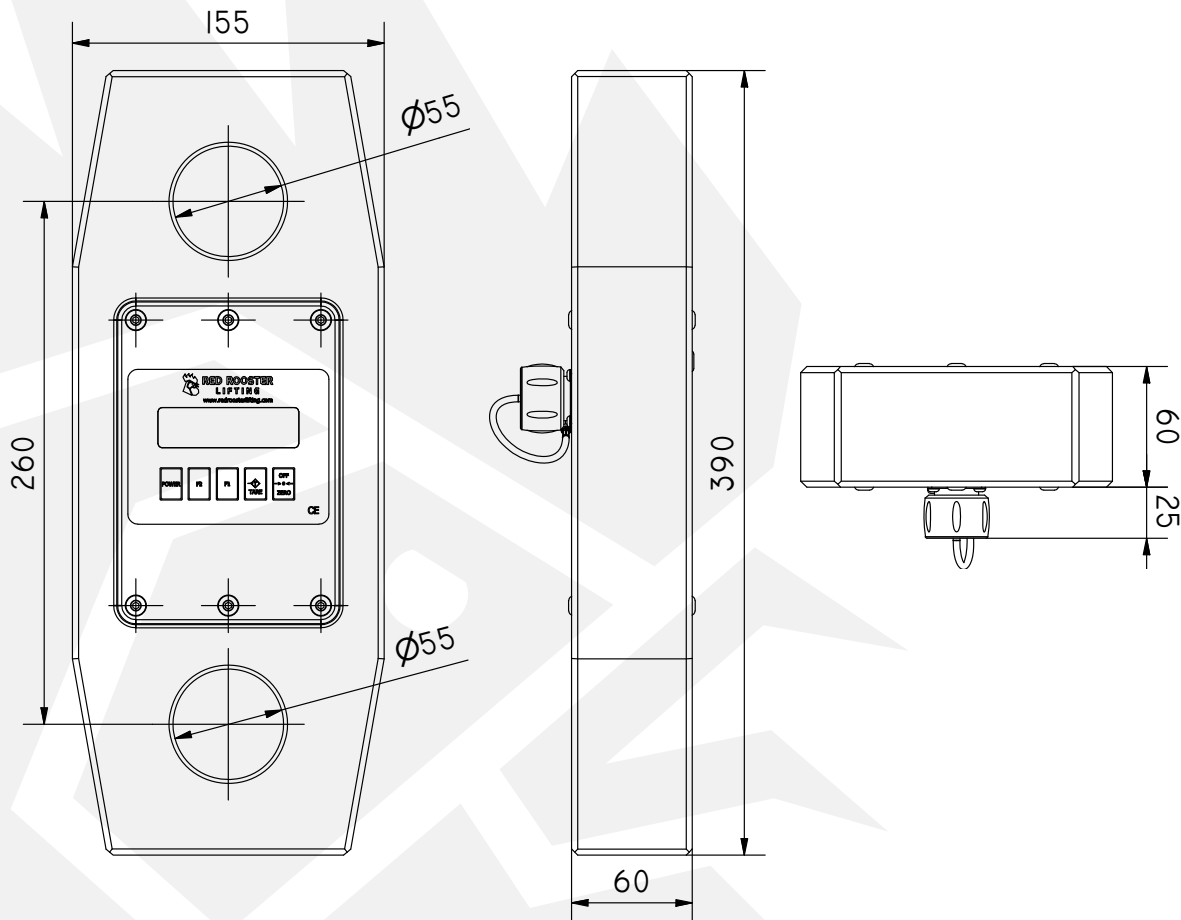
DIMENSIONS

All measurements are in mm

Information subject to change without notice

*Based on a B51610 Grade 1 Calibration Machine

**Depending on charge and conditions



LOAD CELL MODEL	RRI-S25
CAPACITY	25 tonne
RESOLUTION	1 kg
ACCURACY	< +/- 0.5% of FSD*
TEMP RANGE	-10 °C to +40°C
CELL BATTERY	6 x "AA" Alkaline
BATTERY LIFE	(Alkaline "AA") Continuous Use: Minimum 24 Hours**
DISPLAY	11mm Liquid Crystal Display
INGRESS PROTECTION	IP68
SHACKLE SIZE	25 tonne
CELL WEIGHT	6.5 kg
CELL WITH CASE	10.5 kg