

RRI-C12.5 CABLED LOAD CELL



**RED ROOSTER
LIFTING**

RAISING EXPECTATIONS

The **RRI-C12.5** is a 12.5 tonne load cell from Red Rooster Lifting's cabled range. The cells range in capacity from 5 to 500 tonne.

Our RRI-C range of cabled load cell products has been developed from our well proven SWLD range to meet the ever increasing requirements of our customers. The cells are available across the full range in capacity from 5 tonne to 500 tonne, and are manufactured from low weight, high strength duralloy. All load cells are proof loaded to 150% of the rated capacity and have a safety factor of 5:1 (minimum) and IP68 ingress protection. The ergonomically designed handset, with tactile switch membrane, allows one handed operation and is environmentally sealed against water and dust to IP65. An easily accessible battery compartment allows the four "AA" batteries to be changed quickly.



STANDARD FEATURES

- On/Off
- Tare
- Zero
- Peak hold
- Low battery indicator
- Battery level indicator
- 4 x "AA" Alkaline battery
- Eight digit display
- Select units in lbs, kg, tonne or US Tons
- Rubber cover with lanyard
- Robust carry case
- 10m cable length from cell to handset

AVAILABLE OPTIONS

- RS232C output for printer or data logging with Pipeline® software to PC or print mode
- Rechargeable lithium batteries in handset for extended life
- Auto turn off after 5 minutes non use
- Backlit display

T: +44 (0) 1651 872101
sales@redroosterlifting.com

REDROOSTERLIFTING.COM

Red Rooster Lifting Limited Nauta House, The Meadows, Oldmeldrum, Inverurie, Aberdeenshire, UK, AB51 0EZ

RRI-C12.5

CABLED LOAD CELL



RED ROOSTER
LIFTING

RAISING EXPECTATIONS

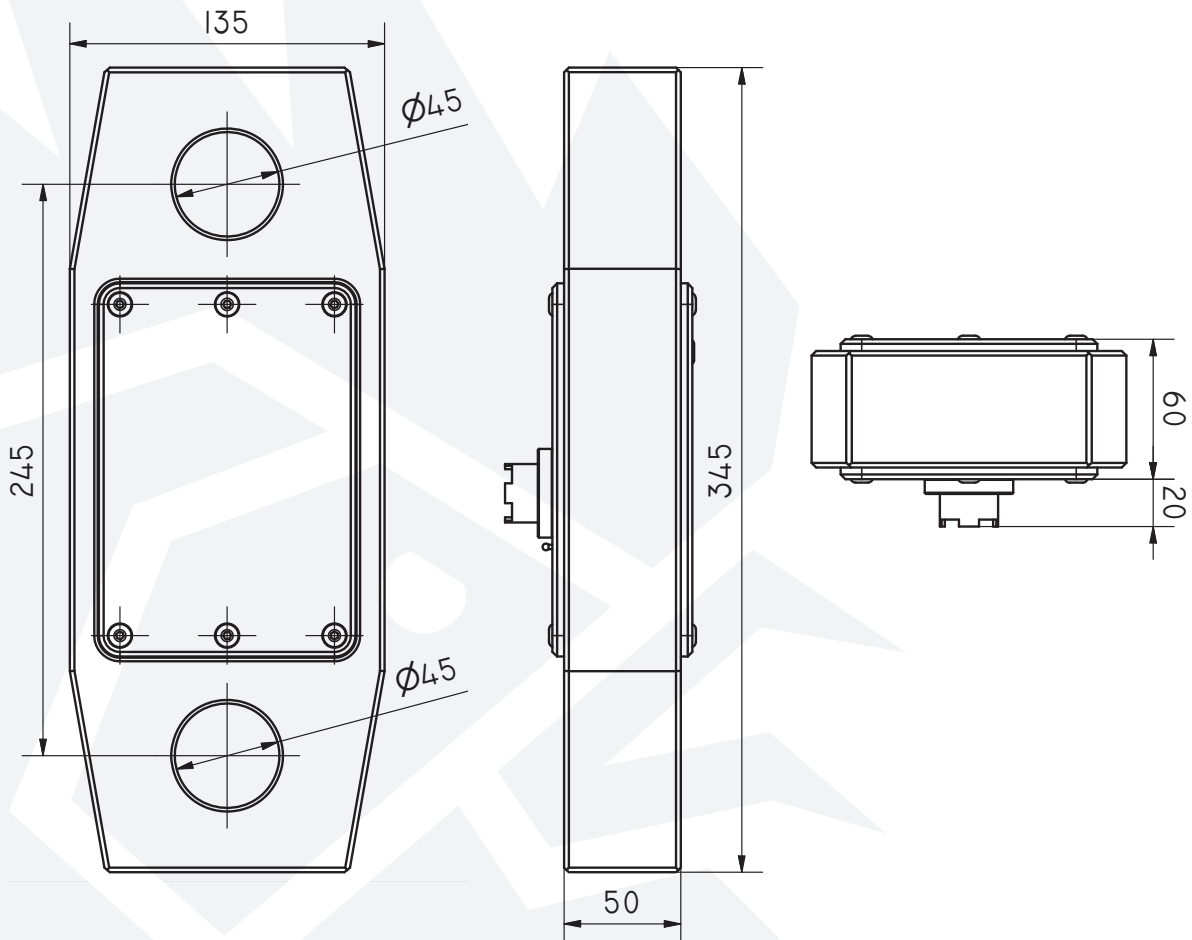
DIMENSIONS

All measurements are in mm

Information subject to change without notice

*Based on a B51610 Grade 1 Calibration Machine

**Depending on charge and conditions



LOAD CELL MODEL	RRI-C12.5
CAPACITY	12.5 tonne
RESOLUTION	1 kg
ACCURACY	< +/- 0.5% of FSD*
TEMP RANGE	-10 °C to +40°C
HANDSET DIMENSIONS	245mm x 120mm x 50mm (524g)
HANDSET BATTERY	4 x "AA" Alkaline
BATTERY LIFE	(Alkaline "AA") Continuous Use: Minimum 50 Hours**
HANDSET DISPLAY	8 digit x 8mm
SHACKLE SIZE	13.5 tonne
CELL WEIGHT	4.5 kg
CELL WITH CASE	8.5 kg