



**RED ROOSTER
LIFTING**

RAISING EXPECTATIONS

RRI-T12.5 TELEMETRY LOAD CELL

The RRI-T12.5 is a 12.5 tonne load cell from Red Rooster Lifting's telemetry range. The cells range in capacity from 5 to 500 tonne.



Our RRI-T range of wireless load cell products has been developed from our well proven SWLT range to meet the ever increasing requirements of our customers. The cells range in capacity from 5 tonne to 500 tonne, and are manufactured from low weight, high strength duralloy. All load cells are proof loaded to 150% of the rated capacity and have a safety factor of 5:1 (minimum) and IP68 ingress protection. The ergonomically designed handset, with tactile switch membrane, allows one handed operation and is environmentally sealed against water and dust to IP65. An easily accessible battery compartment allows the four "AA" batteries to be changed quickly. Both the cell and the handset are supplied in a single robust carry case for added protection up to 50 tonne.

STANDARD FEATURES

- On/Off
- Tare
- Zero
- Peak hold
- Range 100m
- Battery level indicator
- Frequency 433 MHz
- Eight digit display
- Select units in lbs, kg, tonne or US Tons
- Rubber cover with lanyard
- Robust carry case
- Load cell battery lasts 6 months on standby
- Remote turn off on load cell
- Up to 99 ID address codes
- Replaceable batteries in display and cell

AVAILABLE OPTIONS

- RS232C output for printer or data logging with Pipeline® software to PC or print mode
- Rechargeable AA lithium batteries in handset for extended life
- Cell supplied for use with rechargeable lithium-Ion battery pack and charger
- Auto turn off after 5 minutes non use
- Backlit display

T: +44 (0) 1651 872101
sales@redroosterlifting.com

REDROOSTERLIFTING.COM

Red Rooster Lifting Limited Nauta House, The Meadows, Oldmeldrum, Inverurie, Aberdeenshire, UK, AB51 0EZ



RRI-T12.5 TELEMETRY LOAD CELL

RAISING EXPECTATIONS

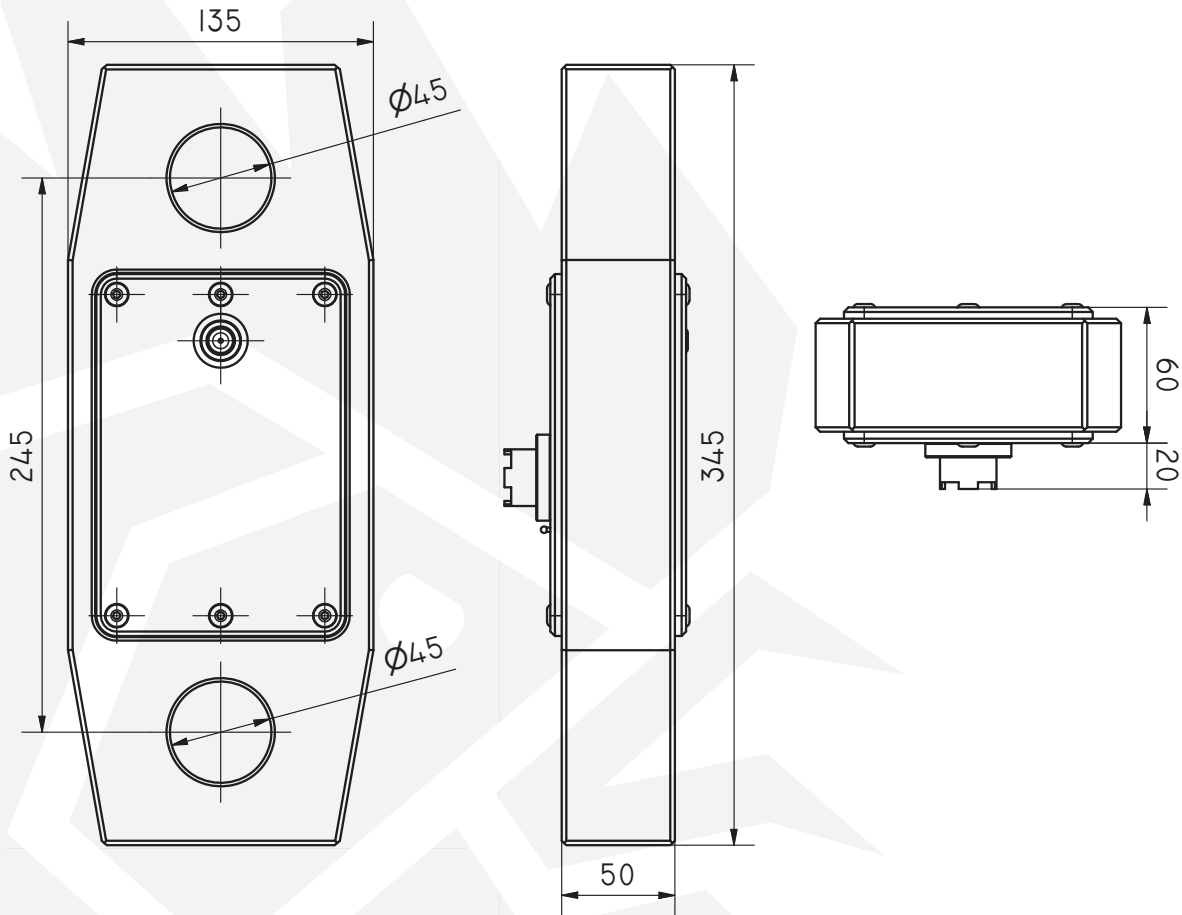
DIMENSIONS

All measurements are in mm

Information subject to change without notice

*Based on a B51610 Grade 1 Calibration Machine

**Depending on charge and conditions



LOAD CELL MODEL	RRI-T12.5
CAPACITY	12.5 tonne
RESOLUTION	1 kg
ACCURACY	< +/- 0.5% of FSD*
TEMP RANGE	-10 °C to +40°C
HANDSET DIMENSIONS	245mm x 120mm x 50mm (524g)
HANDSET BATTERY	4 x "AA" Alkaline
BATTERY LIFE	(Alkaline "AA") Continuous Use: Minimum 50 Hours** OR Rechargeable continuous Use: 1 week**
HANDSET DISPLAY	8 digit x 8mm
SHACKLE SIZE	13.5 tonne
CELL WEIGHT	4.5 kg
CELL WITH CASE	8.5 kg