

RR-COM750 COMPRESSION LOAD CELL

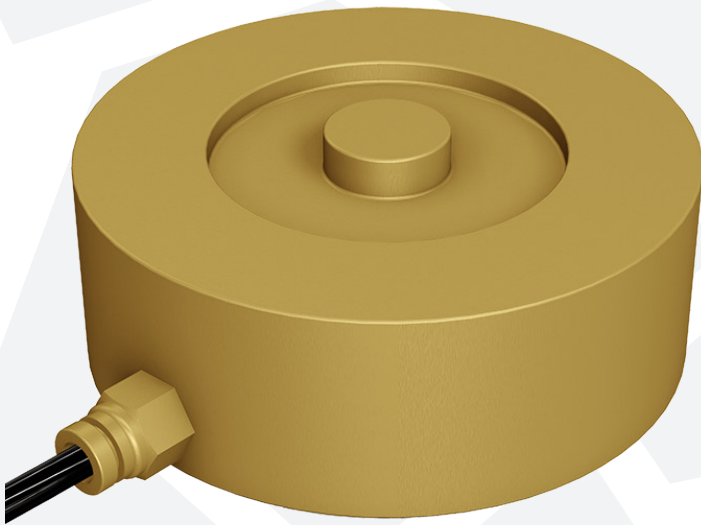


**RED ROOSTER
LIFTING**

RAISING EXPECTATIONS

The **RR-COM750** is a compression load cell from Red Rooster Lifting's load measuring equipment range. The cells range in capacity from 0.5 to 20 tonne.

Red Rooster Lifting have a wide range of load measuring equipment on offer. This compression load cell is manufactured in a range of capacities from 0.5 tonne to 20 tonne from high strength stainless steel with an integrated load button. High quality gauges are used throughout the range to deliver a high accuracy. High standard IP protection against water and dust ingress to IP68. Supplied as standard with an individual hand held display per load cell, or can be supplied as a system with multiple cells configured to one display.



TECHNICAL SPECIFICATION

| | | |
|---|--------------------|----------------------|
| STANDARD LOAD RANGES | Tonne | 0.5, 1, 2, 5, 10, 20 |
| SAFE SERVICE LOAD | % | 150 |
| ULTIMATE LOAD | % | 300 |
| INPUT RESISTANCE | Ω | 750 +/- 20 |
| OUTPUT RESISTANCE | Ω | 700 +/- 5 |
| OPERATIONAL TEMP RANGE | $^{\circ}\text{C}$ | -20 to +70 |
| ENVIRONMENTAL PROTECTION | IP68 | |
| CONSTRUCTION | Stainless Steel | |
| INSULATION | G Ω | >2 at 100V.dc |
| Electrical Connections 6 Core Cable, Wired in Compression Mode | | |
| RED | + Input | |
| BLUE | - Input | |
| YELLOW | - Output | |
| GREEN | + Output | |

T: +44 (0) 1651 872101
sales@redroosterlifting.com

REDROOSTERLIFTING.COM

Red Rooster Lifting Limited Nauta House, The Meadows, Oldmeldrum, Inverurie, Aberdeenshire, UK, AB51 0EZ



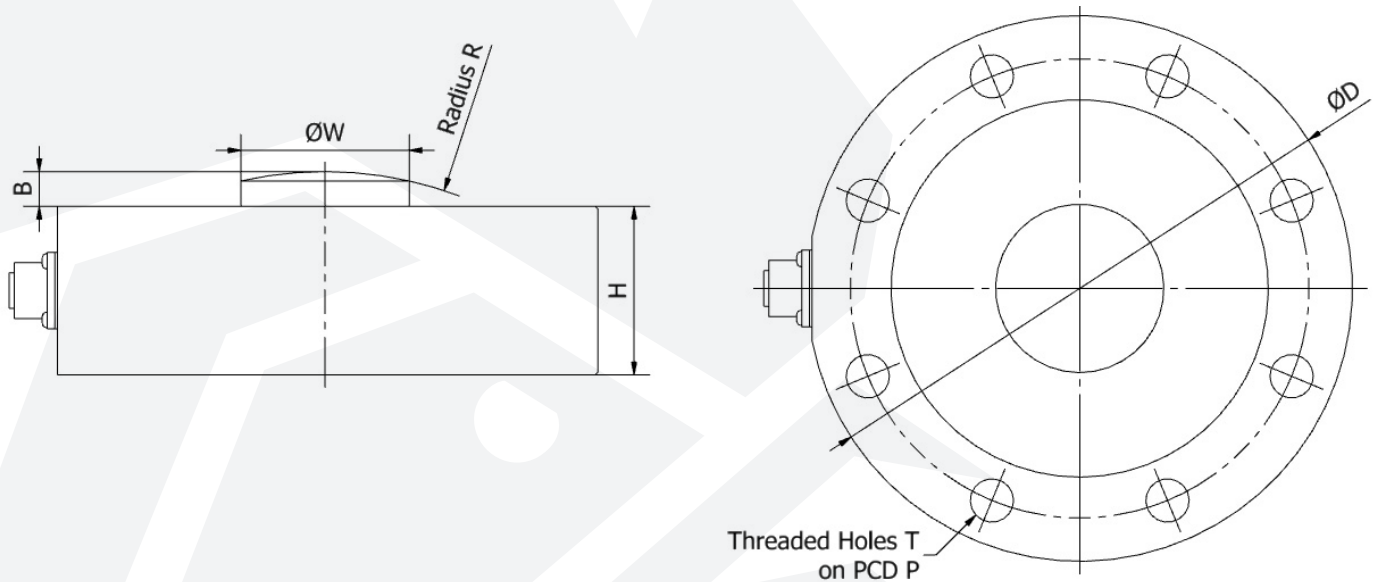
RR-COM750

COMPRESSION LOAD CELL

RAISING EXPECTATIONS

DIMENSIONS

All measurements are in mm
Information subject to change without notice



DIMENSIONS

| CAPACITY (TONNE) | B | ØD | H | P | R | T | ØW |
|------------------|---|----|----|----|-----|---------|----|
| 0,5, 1 | 4 | 59 | 21 | 42 | 50 | M3 x 7 | 10 |
| 2, 5, 10, 20 | 5 | 98 | 35 | 72 | 150 | M6 x 18 | 20 |

T: +44 (0) 1651 872101
sales@redroosterlifting.com