



RR-COM9500 COMPRESSION LOAD CELL

RAISING EXPECTATIONS

The **RR-COM9500** is a compression load cell from Red Rooster Lifting's load measuring equipment range. The cells range in capacity from 25 to 1500 tonne.

Red Rooster Lifting have a wide range of load measuring equipment. This compression load cell is manufactured in a range of capacities from 25 tonne to 1500 tonne from high strength stainless steel.

High quality gauges are used throughout the range to deliver a high accuracy.

High standard IP protection against water and dust ingress to IP68.

Supplied as standard with an individual hand held display per load cell, or can be supplied as a system with multiple cells configured to one display.



TECHNICAL SPECIFICATION

STANDARD LOAD RANGES	TONNE	25, 50, 100, 200, 300, 400, 500, 1000, 1500
SAFE SERVICE LOAD	%	150
ULTIMATE LOAD	%	500
SAFE SIDE LOAD	%	100
INPUT RESISTANCE	Ω	700 (500-1500te 1400Ω)
OUTPUT RESISTANCE	Ω	700 +/- 2
CREEP AFTER 30 MINS (20°C)	%	< +/- 0.05%
OPERATIONAL TEMP RANGE	°C	-20 to +80
ENVIRONMENTAL PROTECTION		IP67
CABLE LENGTH STANDARD	Metres	10
INSULATION	G Ω	>2 at 100V.dc
Electrical Connections IP68 6 Way Amphenol Connector		
PIN A		+ Input
PIN E		+ Output
PIN C		- Input
PIN F		- Output

T: +44 (0) 1651 872101
sales@redroosterlifting.com



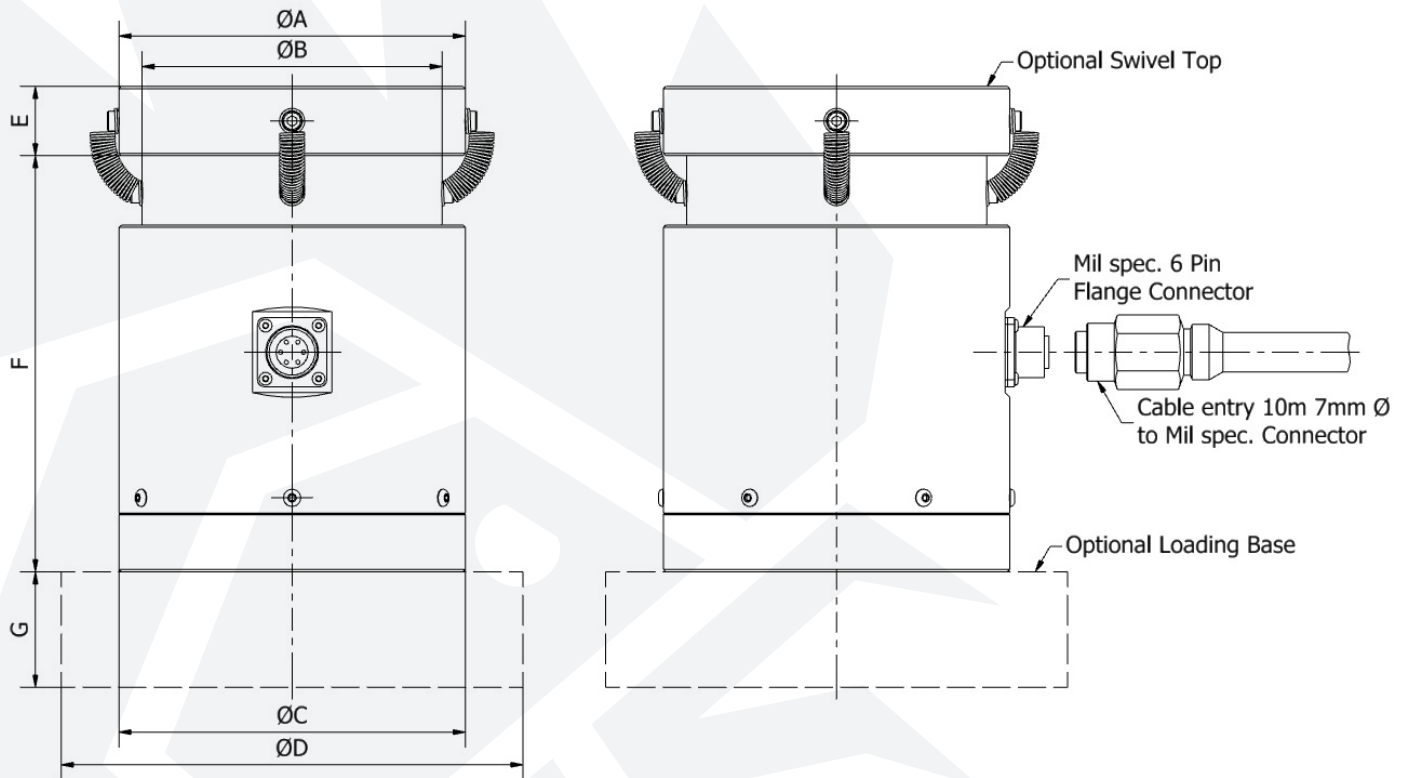
RR-COM9500 COMPRESSION LOAD CELL

**RED ROOSTER
LIFTING**

RAISING EXPECTATIONS

DIMENSIONS

All measurements are in mm
Information subject to change without notice



DIMENSIONS

CELL TYPE	CAPACITY	ØA	ØB	ØC	ØD	E	F	G
COMP 25	25 TONNE	75	60	75	125	15	100	30
COMP 50-100	100 TONNE	100	80	100	150	20	150	50
COMP 200	200 TONNE	127	110	127	150	30	180	50
COMP 300	300 TONNE	150	130	150	200	30	180	50
COMP 400	400 TONNE	150	136	150	200	38	180	50
COMP 500	500 TONNE	203	170.5	203	265	50	300	50
COMP 1000	1000 TONNE	290	250	290	335	50	425	75
COMP 1500	1500 TONNE	350	300	350	400	75	490	100

T: +44 (0) 1651 872101
sales@redroosterlifting.com