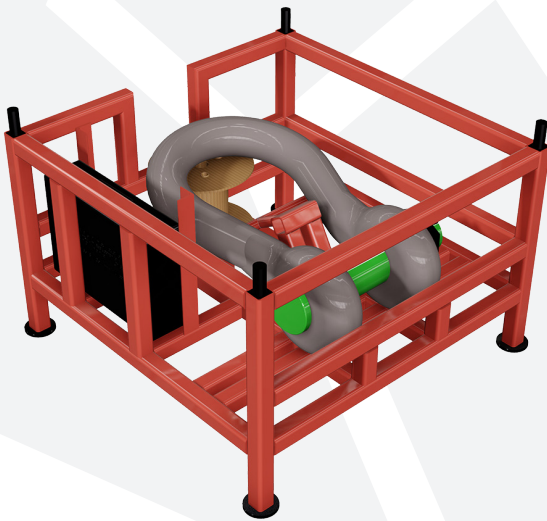




# RR-S SHACKLE CABLED OR TELEMETRY

The **RR-S** is a load shackle from Red Rooster Lifting's load measuring equipment range. The shackles range in capacity from 25 to 300 tonne.



Produced in capacities from 25 tonne to 500 tonne. The load shackle body is manufactured from galvanised alloy steel. The shackle pin (nickel steel up to 35 tonne, alloy steel on larger capacities) is retained in the shackle body by means of a nut and split pin, and an anti-rotation device is incorporated in the pin to ensure correct alignment. The pin itself is through bored and strain gauges are internally resin bonded at both shear planes. A close fitting tapered steel bobbin is included to ensure that the load is applied through the midline of the shackle pin. Load cell shackles are available in both cabled (RR-SC) and radio telemetry (RR-ST) versions. Up to 50 tonne capacity accuracy is better than 0.5% F.S.D. over 50 tonne accuracy is better than 1.0% F.S.D.

## STANDARD FEATURES

- Strain gauges fitted within the bore of the shackle pin for max protection
- Bow or 'D' type shackle to US Federal specification RR-C-271 and European standard EN 13889
- IP68 protection
- Robust waterproof plugs and sockets
- Interface to IKON-X or IKON-CABLED display
- Mains battery charger for shackle
- Handheld display powered by 4 x "AA" batteries
- 8 digit x 8mm display
- Robust carry case for display unit
- Rechargeable battery in telemetry load shackle

T: +44 (0) 1651 872101  
sales@redroosterlifting.com



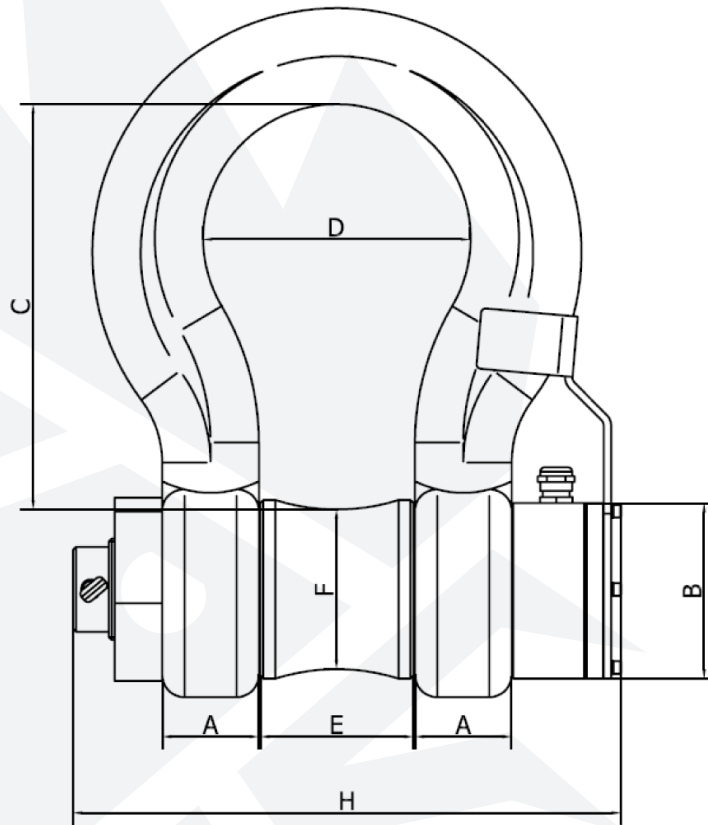
# RR-S SHACKLE CABLED OR TELEMETRY

**RED ROOSTER  
LIFTING**

RAISING EXPECTATIONS

## DIMENSIONS

All measurements are in mm  
Information subject to change without notice



TECHNICAL SPECIFICATION										
CABLED	TELEMETRY	CAPACITY	A	B	C	D	E	F	H	WEIGHT
RR-SC25	RR-ST25	25 tonne	50	120	182	111	83	85	320	~25 kg
RR-SC50	RR-ST50	50 tonne	66	140	255	177	105	95	405	~41 kg
RR-SC70	RR-ST70	70 Tonne	72	140	310	190	127	110	426	~65 kg
RR-SC85	RR-ST85	85 tonne	73	140	335	195	128	110	540	~70 kg
RR-SC120	RR-ST120	120 tonne	94	140	373	239	150	118	540	~90 kg
RR-SC150	RR-ST150	150 tonne	100	140	380	265	165	150	620	~194 kg
RR-SC175	RR-ST175	175 tonne	113	140	485	290	175	186	620	~265 kg
RR-SC250	RR-ST250	250 tonne	115	140	495	305	200	200	675	~450 kg
RR-SC300	RR-ST300	300 tonne	120	140	600	305	200	220	790	~842 kg
TEMP RANGE		-10°C to +40°C								