

RR-SM SUBSEA MARINE LOAD SHACKLE



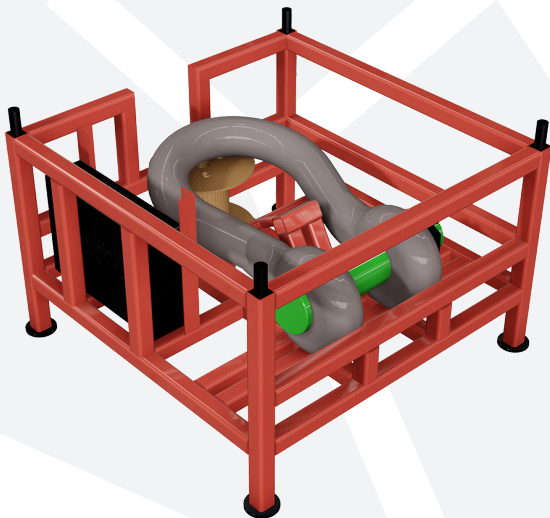
**RED ROOSTER
LIFTING**

RAISING EXPECTATIONS

The **RR-SM** is a marine load shackle from Red Rooster Lifting's load measuring equipment range. The shackles range in capacity from 50 to 500 tonne.



Produced in capacities from 50 tonne to 500 tonne. The marine load shackle body is manufactured of galvanized alloy steel. The shackle pin is made from stainless steel and is retained in the shackle body by means of a nut and split pin. An anti-rotation device is incorporated in the pin to ensure correct alignment. The pin itself is through bored and strain gauges are internally resin bonded at both shear planes. A close fitting tapered steel bobbin is included to ensure that the load is applied through the mid-line of the shackle pin. Our range of marine load cell shackles are proof tested to 200% of the shackle WLL and come with a 5:1 factor of safety. Operational temperature range -20°C to +80°C.



STANDARD FEATURES

- Strain gauges fitted within the bore of the shackle pin for maximum protection
- Bow or 'D' type shackle to US Federal specification RR-C-271 and European standard EN 13889
- Shackle pin sealed to IP68 protection
- Robust nylon reinforced plugs and sockets with locked rings
- Interface to RRI-C display
- Robust carry case for display unit
- Handset powered by 4 x "AA" batteries

T: +44 (0) 1651 872101
sales@redroosterlifting.com

REDROOSTERLIFTING.COM

Red Rooster Lifting Limited Nauta House, The Meadows, Oldmeldrum, Inverurie, Aberdeenshire, UK, AB51 0EZ



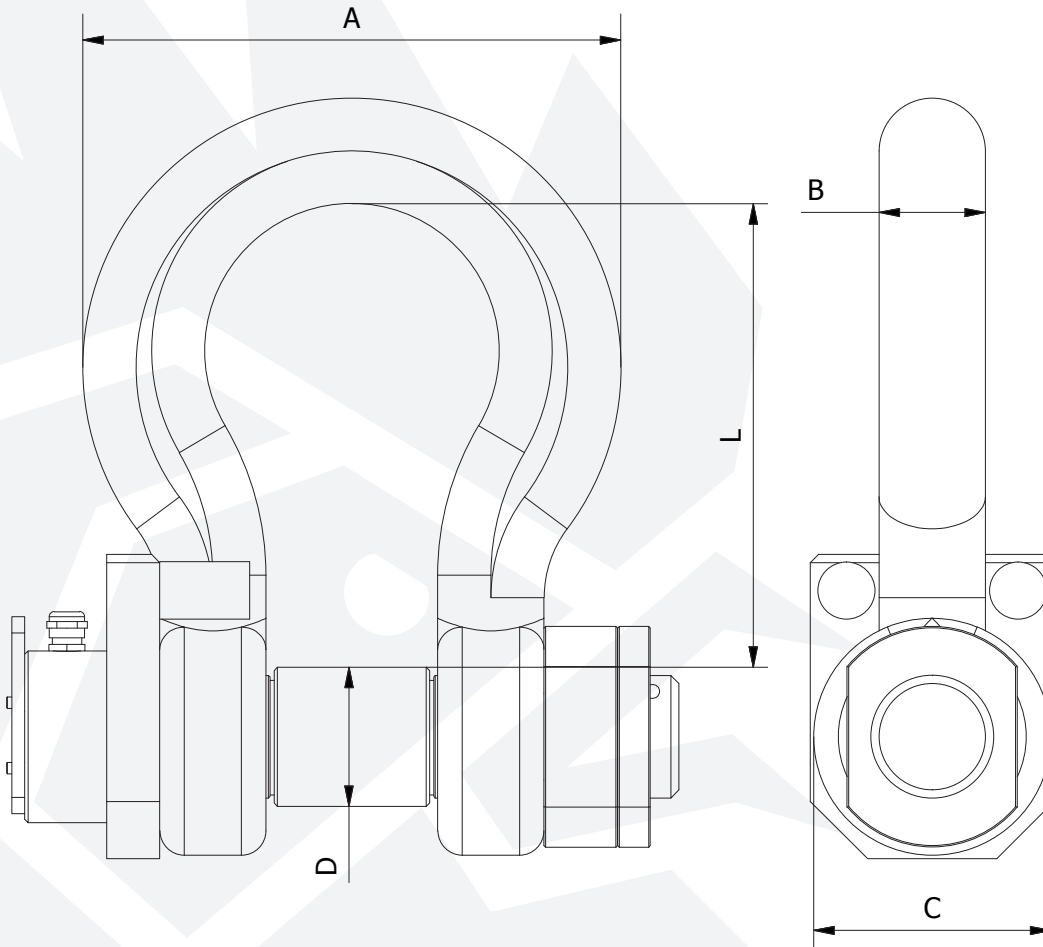
RR-SM SUBSEA MARINE LOAD SHACKLE

**RED ROOSTER
LIFTING**

RAISING EXPECTATIONS

DIMENSIONS

All measurements are in mm
Information subject to change without notice



DIMENSIONS

MODEL	CAPACITY	A	B	C	D	L
SWLSM50	50 tonne	253	53	122	57	197
SWLSM75	75 tonne	327	69	145	70	267
SWLSM100	100 tonne	365	79	165	82.5	330
SWLSM150	150 tonne	468	104	229	108	368
SWLSM200	200 tonne	533	114	267	121	397
SWLSM300	300 tonne	635	127	305	152	495
SWLSM400	400 tonne	660	152	356	178	572
SWLSM500	500 tonne	711	191	381	191	645