

SK MODEL CRANE SCALES



**RED ROOSTER
LIFTING**

RAISING EXPECTATIONS

The **SK MODEL** is a crane scale from Red Rooster Lifting's large range of TEO crane scales. The scales range in capacity from 200 kg to 85 tonne.

Red Rooster Lifting has a large range of TEO crane scale equipment available. Our TEO crane scale products are a versatile tool for all kinds of lifting purposes. They range in capacity from 200 kg to 85 tonne and are robust with very little maintenance required. The large dial allows for quick, accurate and easy reading for you load measuring application.

The TEO crane scale uses proven technology (hydro-static, bourdon tube) and incorporates it in to a simple, functional and reliable weighing device. Current health and safety legislation requires companies to have knowledge of the loads being handled regardless of the industry.

In the TEO crane scale we have an inexpensive load-measuring device which can be hung up, used and then stored until the next time it is required, secure in the knowledge that it will continue to perform reliably.

STANDARD FEATURES

- Accuracy better than display resolution (1% of rated load, nominal)
- 100% taring capability (by rotating the dial device)
- Zero set by rotating the dial face
- Plexiglass dial face cover
- 160mm scale diameter
- Graduated in kilogrammes and tonnes
- Fixed link top suspension up to 5000 kgs
- Hook with latch bottom suspension up to 5000 kgs

AVAILABLE OPTIONS

- Display graduated in pounds (lbs) or tonnes
- Display remote from the load cell (hydrostatic tube connection)



T: +44 (0) 1651 872101
sales@redroosterlifting.com

REDROOSTERLIFTING.COM

Red Rooster Lifting Limited Nauta House, The Meadows, Oldmeldrum, Inverurie, Aberdeenshire, UK, AB51 0EZ



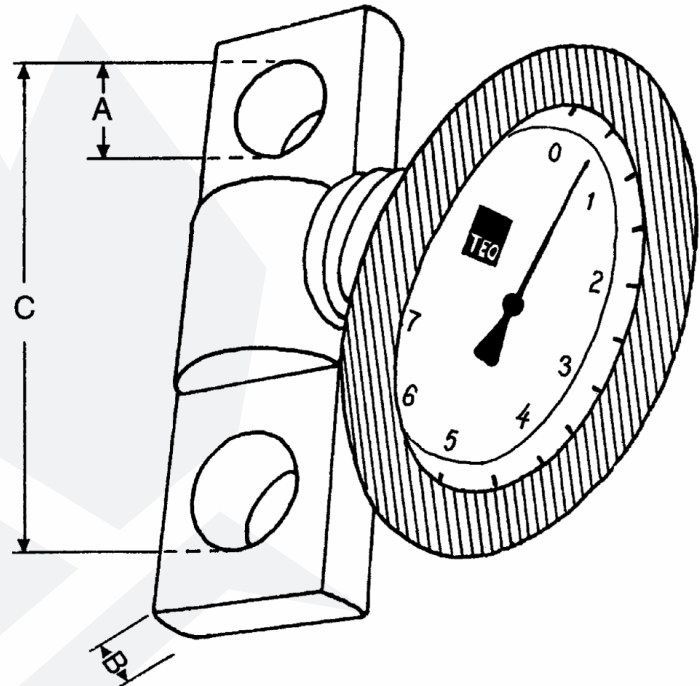
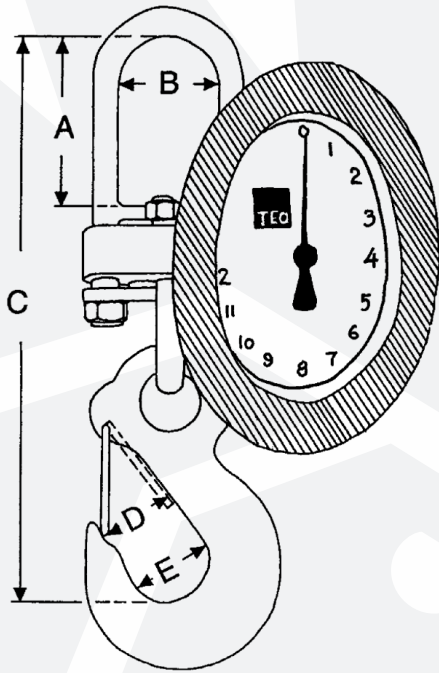
SK MODEL CRANE SCALES

**RED ROOSTER
LIFTING**

RAISING EXPECTATIONS

DIMENSIONS

All measurements are in mm
Information subject to change without notice



DIMENSIONS								
MODEL	CAPACITY (kgs)	DIAL INCREMS	WEIGHT (kgs)	A mm	B mm	C mm	D mm	E mm
200-SK1	200	1 kg	5	60	53	230	27	35
320-SK2	320	2 kg	5	60	53	230	27	35
500-SK2	500	2 kg	5	60	53	230	27	35
750-SK5	750	5 kg	5	60	53	230	27	35
1250-SK5	1250	5 kg	5	60	53	230	27	35
2000-SK10	2000	10 kg	5	60	53	230	27	35
3200-SK20	3200	20 kg	5.5	75	53	280	34	46
5000-SK20	5000	20 kg	6.5	75	53	300	42	56
7500-SK50	7500	50 kg	8.1	40	41	213	-	-
12500-SK50	12500	50 kg	8.1	42	30	215	-	-
25000-SK100	25000	100 kg	12.9	55	42	262	-	-
50000-SK200	50000	200 kg	30	75	50	335	-	-
85000-SK500	85000	500 kg	60	85	60	390	-	-