

# LX003 | 250 KG LEVER CHAIN HOIST

The LX003 is a 250 kg ultra lightweight and compact lever chain hoist from KITO. This model is part of Red Rooster Lifting's full range of KITO equipment available.



**RED ROOSTER  
LIFTING**

RAISING EXPECTATIONS



With the ultralight and compact ratchet hoists of the KITO LX Series, demanding tasks like fastening, fixing and positioning of loads in the light-load range can be solved easily and effectively.

The LX is designed for loads of 250 kg and 500 kg. The ratchet hoist is mainly used where delicate parts have to be joined together: for example, in apparatus installation, where control cabinets are to be connected and have to be brought within a few millimeters of each other, or in the automobile workshop, for fitting and removing engines or for fitting engines and gearboxes together. This ultra-compact ratchet hoist can be used almost anywhere.

## STANDARD FEATURES

- Freewheel safeguard
- Corrosion resistant
- Hook latch with safety tip
- Nickel plated load chain
- Lightweight body
- Quad riveted bottom hook
- Smooth gear system
- Short lever

T: +44 (0) 1651 872101  
sales@redroosterlifting.com

**KITO**

# LX003 | 250 KG LEVER CHAIN HOIST

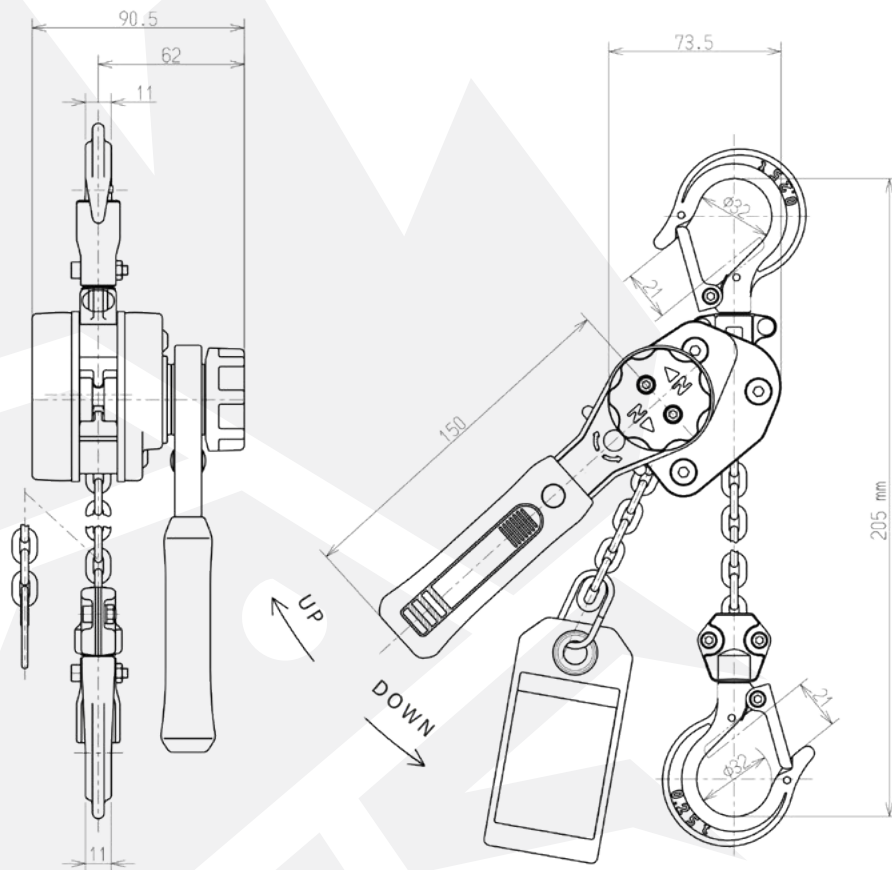


**RED ROOSTER  
LIFTING**

RAISING EXPECTATIONS

## DIMENSIONS

All measurements are in mm  
Information subject to change without notice



MODEL	WLL	CHAIN FALL	LOAD CHAIN DIA	STANDARD HOL
LX003	250 kg	1	3.2 x 9.0 mm	1.5 m
MODEL	HAND PULL TO LIFT FULL LOAD	NET WEIGHT	TEST WEIGHT	WEIGHT FOR ADDITIONAL M HOL
LX003	20 daN	1.7 kg	380 kg	0.35 kg

**KITO**