

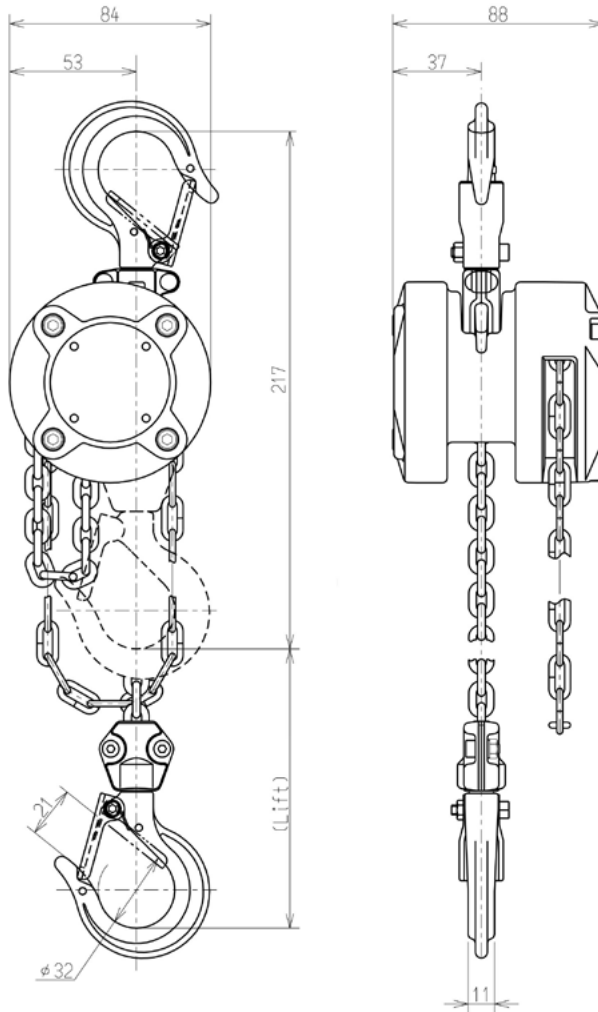
CX003 MANUAL CHAIN HOIST



RED ROOSTER LIFTING

STANDARD FEATURES

- ▷ Safety casing counter-sunk bolts
- ▷ Hook latch with safety tip
- ▷ Overload limiter protection
- ▷ Nickel-plated load chain grade V (G100)
- ▷ Made in Japan



All measurements are in mm



Image for illustration purposes only

MODEL	CX003
WLL	250 kg
STANDARD LIFT	2.5 m
HAND PULL TO LIFT FULL LOAD	14.7 daN
LOAD CHAIN DIAMETER	3.2 x 9.0 mm
CHAIN FALL	1
NET WEIGHT	2.4 kg
WEIGHT PER ADDITIONAL METRE LIFT	0.4 kg

Information subject to change without notice

KITO

RED ROOSTER LIFTING

Nauta House, The Meadows
Oldmeldrum, Aberdeenshire
United Kingdom, AB51 0EZ

T: +44 (0) 1651 872101
E: sales@redroosterlifting.com
W: www.redroosterlifting.com