

CF015 | 1.5 TONNE MANUAL CHAIN HOIST



**RED ROOSTER
LIFTING**

RAISING EXPECTATIONS

The **CF015** is a 1.5 tonne extremely robust manual chain hoist from KITO. This model is just part of Red Rooster Lifting's full range of KITO equipment available.



With a weight of just up to 28 kg KITO's CF model is ideal for its ease of handling and portability. The KITO CF is unique with its single reduction gearing that results in lifting speeds up to 28% faster than typical manual chain hoists. Moreover it is built with double pawl springs, and heavy duty heat-treated pinion and gears. The gear shafts with ball bearings minimize friction to guarantee ease of operation.

Like all KITO chain hoists, the CF comes standard with highly corrosion resistant KITO brand grade 100 load chain. The chain is nickel plated and has an ultra-smooth surface that results in reduced link-to-link wear, and increased lifetime.

STANDARD FEATURES

- Lightweight aluminium body
- Precise gear mechanism
- Long lasting sealed bearings
- Nickel-plated load chain grade V (G100)
- Made in Japan

T: +44 (0) 1651 872101
sales@redroosterlifting.com

KITO



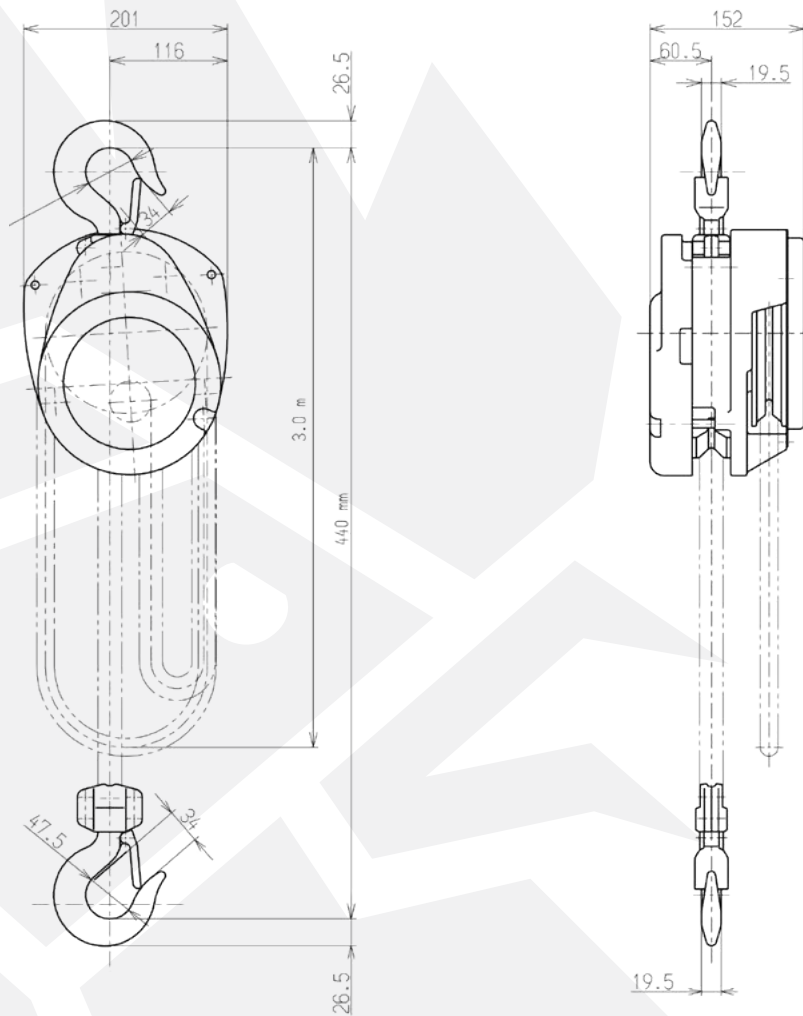
CF015 | 1.5 TONNE MANUAL CHAIN HOIST

**RED ROOSTER
LIFTING**

RAISING EXPECTATIONS

DIMENSIONS

All measurements are in mm
Information subject to change without notice



MODEL	WLL	CHAIN FALL	HAND CHAIN LENGTH FOR LIFTING	HAND PULL TO LIFT FULL LOAD
CF015	1500 kg	1	41 m	42 daN
MODEL	LOAD CHAIN DIA	STANDARD HOL	NET WEIGHT	WEIGHT FOR ADDITIONAL M HOL
CF015	7.1 x 21.2 mm	3 m	17.0 kg	2.1 kg

KITO