

CB020 | 2 TONNE MANUAL CHAIN HOIST



**RED ROOSTER
LIFTING**

RAISING EXPECTATIONS

The **CB020** is a 2 tonne manual chain hoist that is compact and light, yet extremely durable, with industry-leading quality. This model is part of Red Rooster Lifting's full range of KITO equipment available.



The CB series of manual chain hoists are built with premium-grade components for long life in the toughest industrial and contracting applications. The capacities range from 500 kg to 50 tonne dependant on your lifting needs.

They have a shock-resistant gear casing, double ratchet spring, precision gears and double casing to protect against dust and water, with a secure and reliable mechanical brake, load chain guide and a nickel-plated load chain with long service life. The load chain has a break strength of 1,000 N/mm² and corresponds to class V according to DIN EN 818-7.

STANDARD FEATURES

- Screw-and-disc type load brake
- Double pawl spring
- Nickel-plated load chain grade V (G100)
- Made in Japan

AVAILABLE OPTIONS

- Geared trolley
- Plain trolley
- Overload limiter
- Canvas chain bucket
- ATEX

T: +44 (0) 1651 872101
sales@redroosterlifting.com

KITO



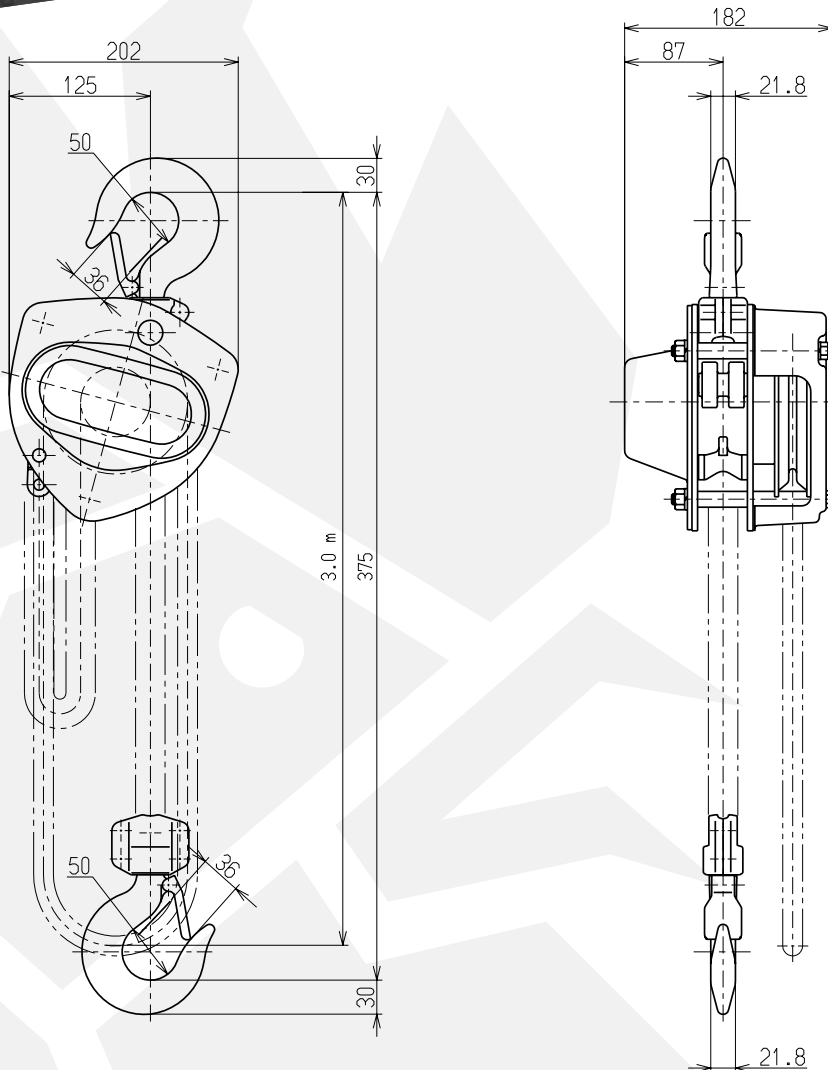
CB020 | 2 TONNE MANUAL CHAIN HOIST

**RED ROOSTER
LIFTING**

RAISING EXPECTATIONS

DIMENSIONS

All measurements are in mm
Information subject to change without notice



| MODEL | WLL | CHAIN FALL | CHAIN PULL TO LIFT FULL LOAD | HAND CHAIN LENGTH FOR LIFTING |
|-------|----------------|--------------|------------------------------|-------------------------------|
| CB020 | 2000 kg | 1 | 36 daN | 70 m |
| MODEL | LOAD CHAIN DIA | STANDARD HOL | NET WEIGHT | WEIGHT FOR ADDITIONAL M HOL |
| CB010 | 8.0 x 24.2 mm | 3.0 m | 20 kg | 2.3 kg |

KITO