

# CB025 MANUAL CHAIN HOIST



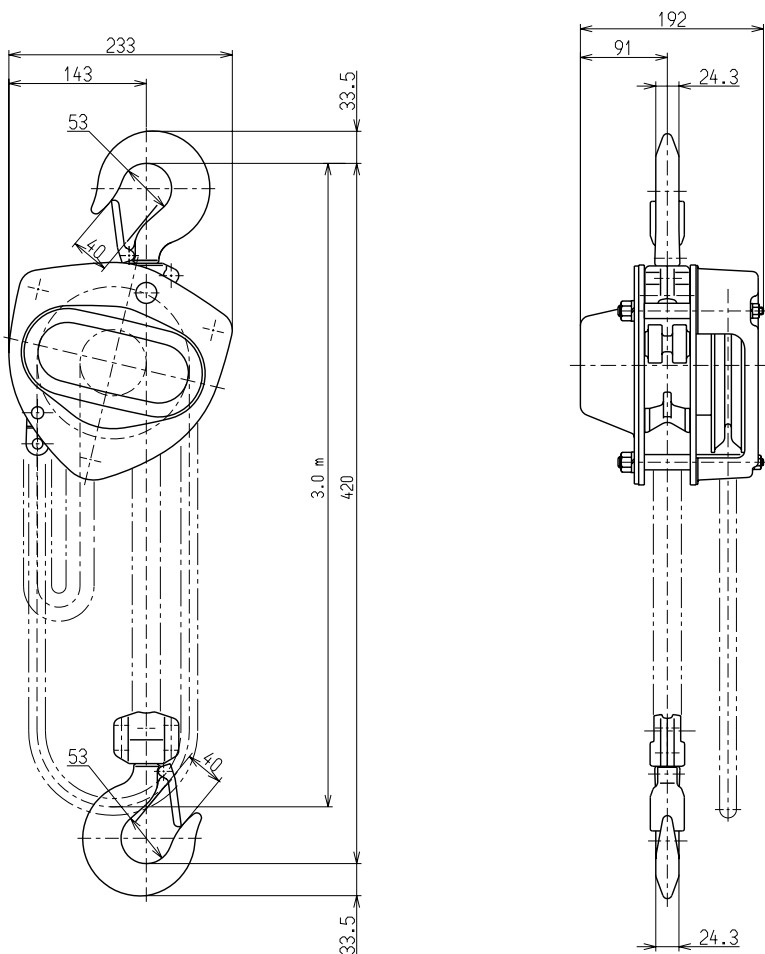
# RED ROOSTER LIFTING

## STANDARD FEATURES

- ▷ Screw-and-disc type load brake
- ▷ Double pawl spring
- ▷ Nickel-plated load chain grade V (G100)
- ▷ Made in Japan

## AVAILABLE OPTIONS

- ▷ Geared trolley
- ▷ Plain trolley
- ▷ Overload limiter
- ▷ Canvas chain bucket
- ▷ ATEX



All measurements are in mm

MODEL	CB025
WLL	2500 kg
STANDARD LIFT	3 m
HAND PULL TO LIFT FULL LOAD	32.3 daN
LOAD CHAIN DIAMETER	9.0 x 27.2 mm
CHAIN FALL	1
NET WEIGHT	27.0 kg
WEIGHT PER ADDITIONAL METRE LIFT	2.7 kg

Information subject to change without notice



Image for illustration purposes only

# KITO

## RED ROOSTER LIFTING

Nauta House, The Meadows  
Oldmeldrum, Aberdeenshire  
United Kingdom, AB51 0EZ

T: +44 (0) 1651 872101  
E: sales@redroosterlifting.com  
W: www.redroosterlifting.com