

# CB030 MANUAL CHAIN HOIST



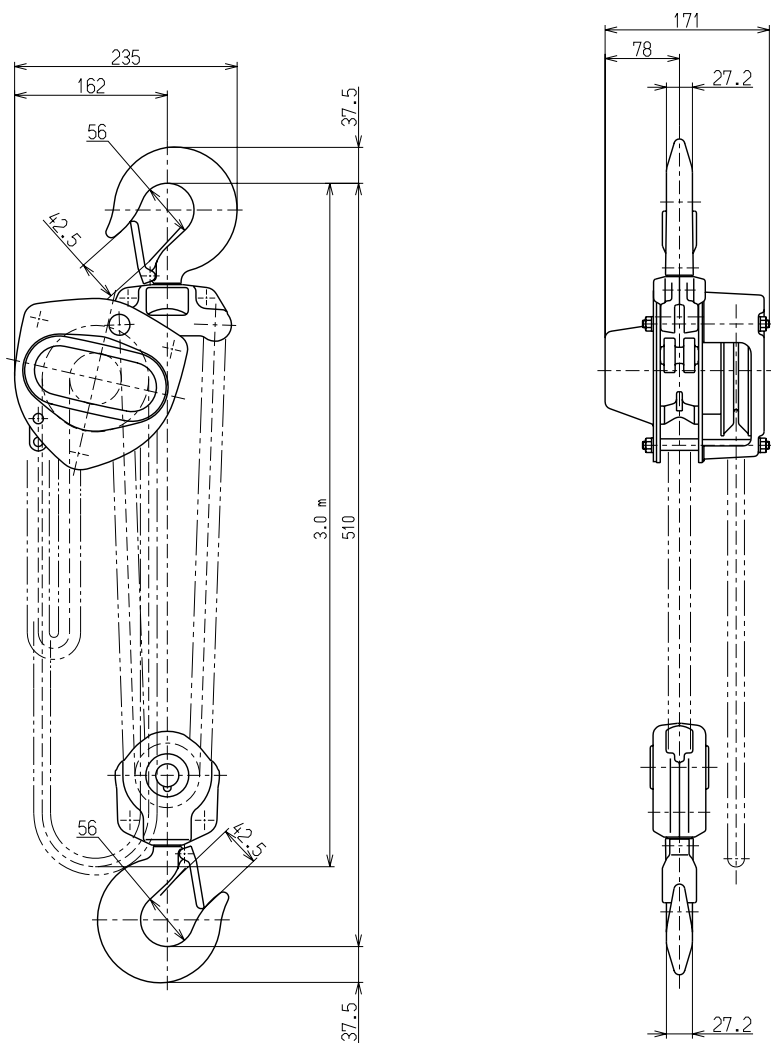
# RED ROOSTER LIFTING

## STANDARD FEATURES

- ▷ Screw-and-disc type load brake
- ▷ Double pawl spring
- ▷ Nickel-plated load chain grade V (G100)
- ▷ Made in Japan

## AVAILABLE OPTIONS

- ▷ Geared trolley
- ▷ Plain trolley
- ▷ Overload limiter
- ▷ Canvas chain bucket
- ▷ ATEX



All measurements are in mm



Image for illustration purposes only

MODEL	CB030
WLL	3000 kg
STANDARD LIFT	3 m
HAND PULL TO LIFT FULL LOAD	35.3 daN
LOAD CHAIN DIAMETER	7.1 x 21.2 mm
CHAIN FALL	2
NET WEIGHT	24.0 kg
WEIGHT PER ADDITIONAL METRE LIFT	3.2 kg

Information subject to change without notice

# KITO

## RED ROOSTER LIFTING

Nauta House, The Meadows  
Oldmeldrum, Aberdeenshire  
United Kingdom, AB51 0EZ

T: +44 (0) 1651 872101  
E: sales@redroosterlifting.com  
W: www.redroosterlifting.com