

CB400 | 40 TONNE MANUAL CHAIN HOIST



**RED ROOSTER
LIFTING**

RAISING EXPECTATIONS

The **CB400** is a 40 tonne manual chain hoist that is compact and light, yet extremely durable, with industry-leading quality. This model is part of Red Rooster Lifting's full range of KITO equipment available.



The CB series of manual chain hoists are built with premium-grade components for long life in the toughest industrial and contracting applications. The capacities range from 500 kg to 50 tonne dependant on your lifting needs.

They have a shock-resistant gear casing, double ratchet spring, precision gears and double casing to protect against dust and water, with a secure and reliable mechanical brake, load chain guide and a nickel-plated load chain with long service life. The load chain has a break strength of 1,000 N/mm² and corresponds to class V according to DIN EN 818-7.

STANDARD FEATURES

- Screw-and-disc type load brake
- Double pawl spring
- Nickel-plated load chain grade V (G100)
- Made in Japan

AVAILABLE OPTIONS

- Geared trolley
- Plain trolley
- Overload limiter
- Canvas chain bucket
- ATEX

Image for illustration purposes only

T: +44 (0) 1651 872101
sales@redroosterlifting.com

REDROOSTERLIFTING.COM

KITO



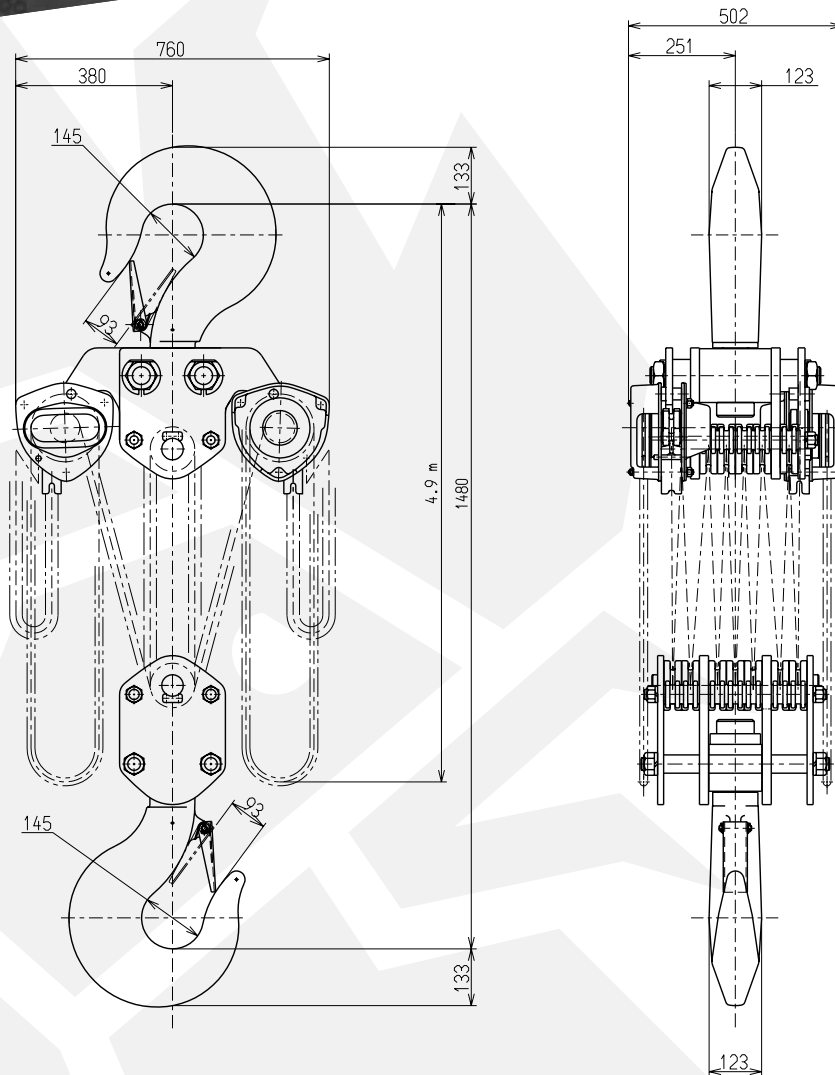
CB400 | 40 TONNE MANUAL CHAIN HOIST

**RED ROOSTER
LIFTING**

RAISING EXPECTATIONS

DIMENSIONS

All measurements are in mm
Information subject to change without notice



MODEL	WLL	CHAIN FALL	CHAIN PULL TO LIFT FULL LOAD	HAND CHAIN LENGTH FOR LIFTING
CB400	40,000 kg	14	42.1 x 2 daN	693 x 2 m
MODEL	LOAD CHAIN DIA	STANDARD HOL	NET WEIGHT	WEIGHT FOR ADDITIONAL M HOL
CB400	9.0 x 27.2 mm	3.5 m	480 kg	26.2 kg

KITO