

# CB100 ATEX ATEX MANUAL CHAIN HOIST



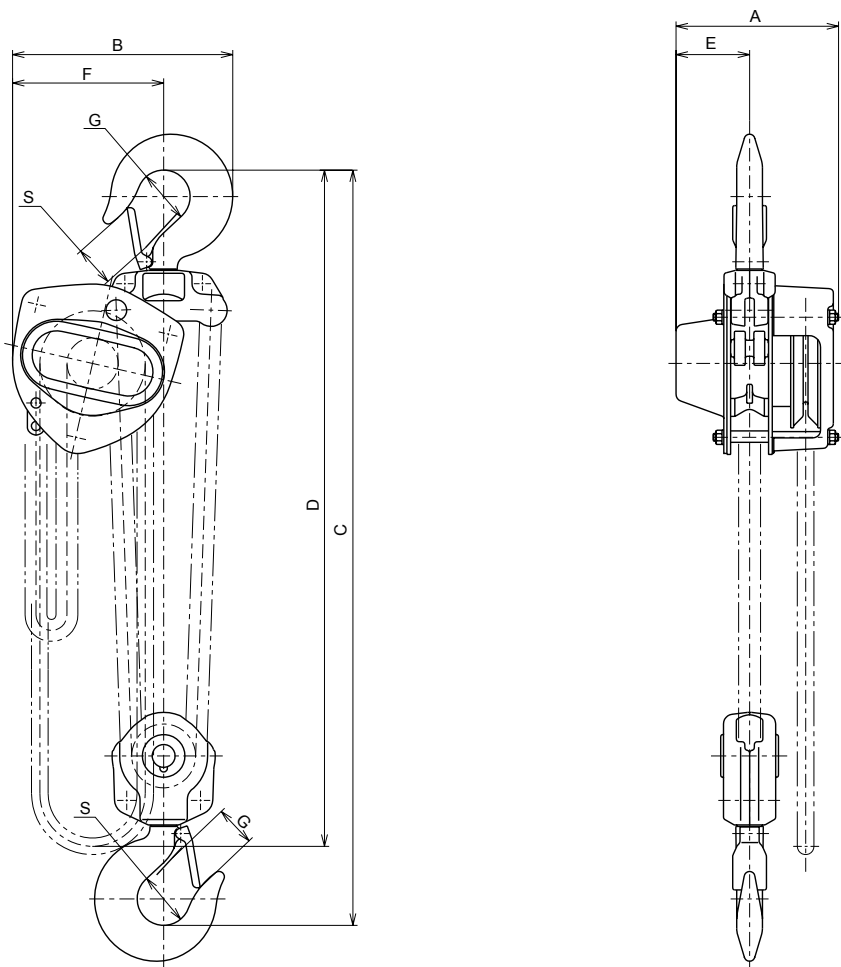
# RED ROOSTER LIFTING

## STANDARD FEATURES

- ▷ Screw-and-disc type load brake
- ▷ Double pawl spring
- ▷ Nickel-plated load chain grade V (G100)
- ▷ Group II 2 GDc IIB T4 135°C
- ▷ Operating temp -40°C to +30°C
- ▷ Made in Japan

## AVAILABLE OPTIONS

- ▷ Geared trolley
- ▷ Plain trolley
- ▷ Overload limiter
- ▷ Canvas chain bucket



MODEL	HEADROOM C	A	B	D	E	F	G	S
CB100 ATEX	760	192	438	4200	111	308	72.5	85

All measurements are in mm

MODEL	CB100 ATEX
WLL	10000 kg
STANDARD LIFT	4.0 m
HAND PULL TO LIFT FULL LOAD	35.3 daN
LOAD CHAIN DIAMETER x CHAIN FALL	9.0 x 27.2 mm
CHAIN FALL	4
NET WEIGHT	83.0 kg
WEIGHT PER ADDITIONAL METRE LIFT	7.9 kg

Information subject to change without notice

# KITO

## RED ROOSTER LIFTING

Nauta House, The Meadows  
Oldmeldrum, Aberdeenshire  
United Kingdom, AB51 0EZ

T: +44 (0) 1651 872101  
E: sales@redroosterlifting.com  
W: www.redroosterlifting.com