

TK BEAM CLAMPS



RED ROOSTER LIFTING

KITO

STANDARD FEATURES

- ▷ Self-centering shaft design
- ▷ High surface contact area
- ▷ Shackle as standard
- ▷ Galvanised screw shaft
- ▷ Wide range of capacities
- ▷ Suitable for angle pulling



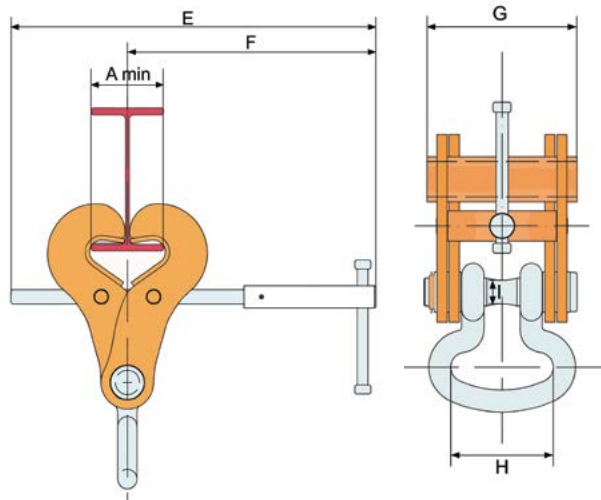
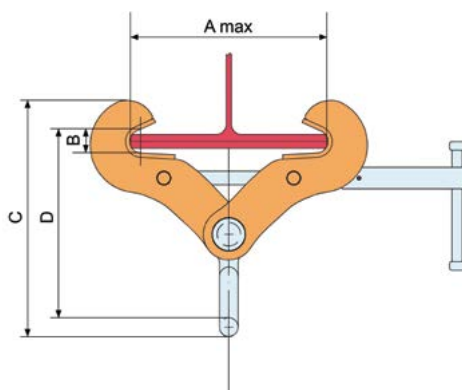
Image for illustration purposes only

MODEL	WLL (KG)	FLANGE WIDTH (mm)	NET WEIGHT (KG)
TK010A	1000	75 - 230	4.0
TK020A	2000	75 - 230	5.3
TK030A	3000	75 - 230	9.0
TK030B	3000	140 - 320	11.0
TK050A	5000	75 - 230	11.0
TK050B	5000	140 - 320	13.5
TK075A	7500	90 - 320	20.0
TK100A	10000	90 - 320	20.0

Information subject to change without notice

MODEL	A		B	C	D	E	F	G	H	I
	MIN	MAX								
TK010A	75	230	18.9	205	161	385	253	106	75	17.4
TK020A	75	230	18.9	220	173	385	253	129	89	19.1
TK030A	75	230	28.2	276	221	415	283	149	102	23.4
TK030B	140	320	28.3	279	225	475	313	149	102	23.4
TK050A	75	230	28.2	291	232	415	283	170	118	24.2
TK050B	140	320	28.3	280	224	475	313	170	118	24.2
TK075A	90	320	30.1	331	266	475	313	207	146	31
TK100A	90	320	30.1	331	266	475	313	207	146	31

All measurements are in mm



RED ROOSTER LIFTING

Nauta House, The Meadows
Oldmeldrum, Aberdeenshire
United Kingdom, AB51 0EZ

T: +44 (0) 1651 872101
E: sales@redroosterlifting.com
W: www.redroosterlifting.com