

SHB010 LOW HEADROOM MANUAL CHAIN HOIST



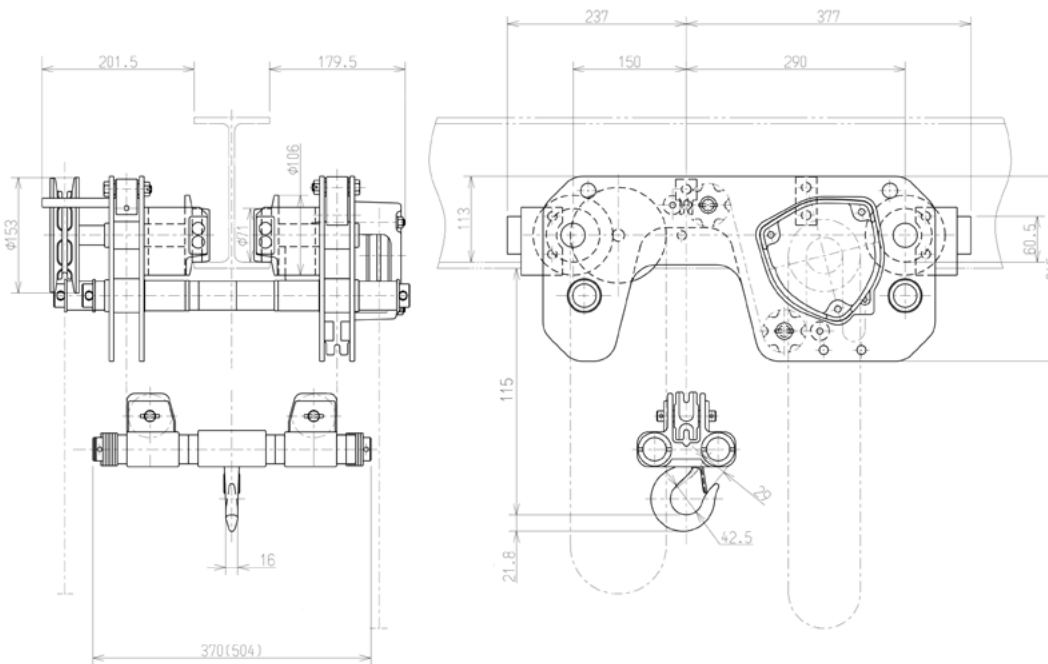
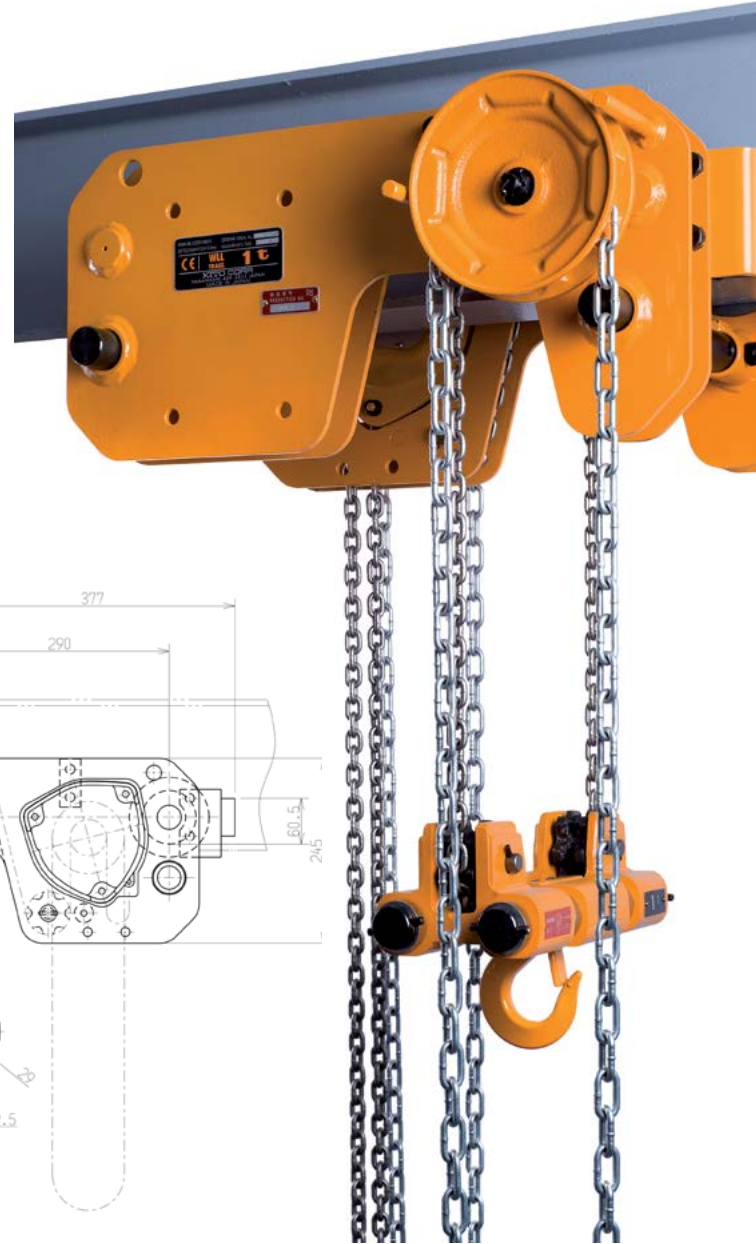
RED ROOSTER LIFTING

STANDARD FEATURES

- ▷ Shock resistant gear case
- ▷ High performance brake
- ▷ Short headroom integrated hook
- ▷ Nickel-plated load chain grade V (G100)
- ▷ Made in Japan

AVAILABLE OPTIONS

- ▷ Overload limiter
- ▷ Canvas chain bucket
- ▷ ATEX



All measurements are in mm

Image for illustration purposes only

| MODEL | SHB010 |
|---------------------------------------|---------------|
| WLL | 1000 kg |
| STANDARD LIFT | 3 m |
| HAND PULL TO LIFT FULL LOAD - HOIST | 31.4 daN |
| HAND PULL TO LIFT FULL LOAD - TROLLEY | 3.2 daN |
| LOAD CHAIN DIAMETER | 5.0 x 15.1 mm |
| CHAIN FALL | 2 |
| NET WEIGHT | 67.0 kg |
| WEIGHT PER ADDITIONAL METRE LIFT | 3.0 kg |

Information subject to change without notice

KITO

RED ROOSTER LIFTING

Nauta House, The Meadows
Oldmeldrum, Aberdeenshire
United Kingdom, AB51 0EZ

T: +44 (0) 1651 872101
E: sales@redroosterlifting.com
W: www.redroosterlifting.com