

SHB020 LOW HEADROOM MANUAL CHAIN HOIST



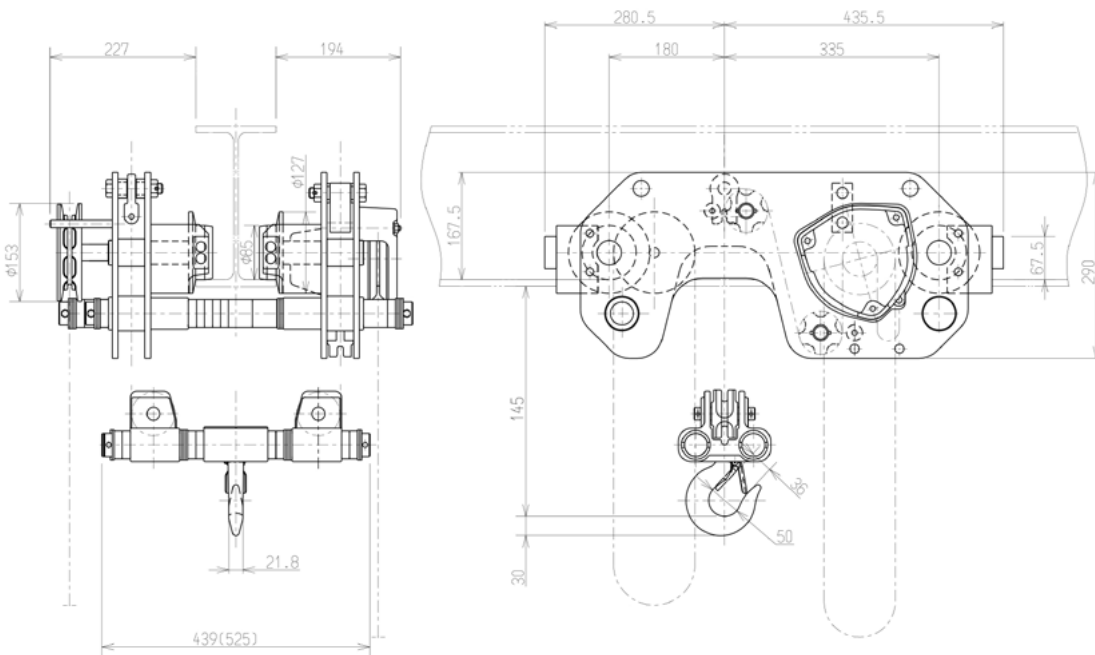
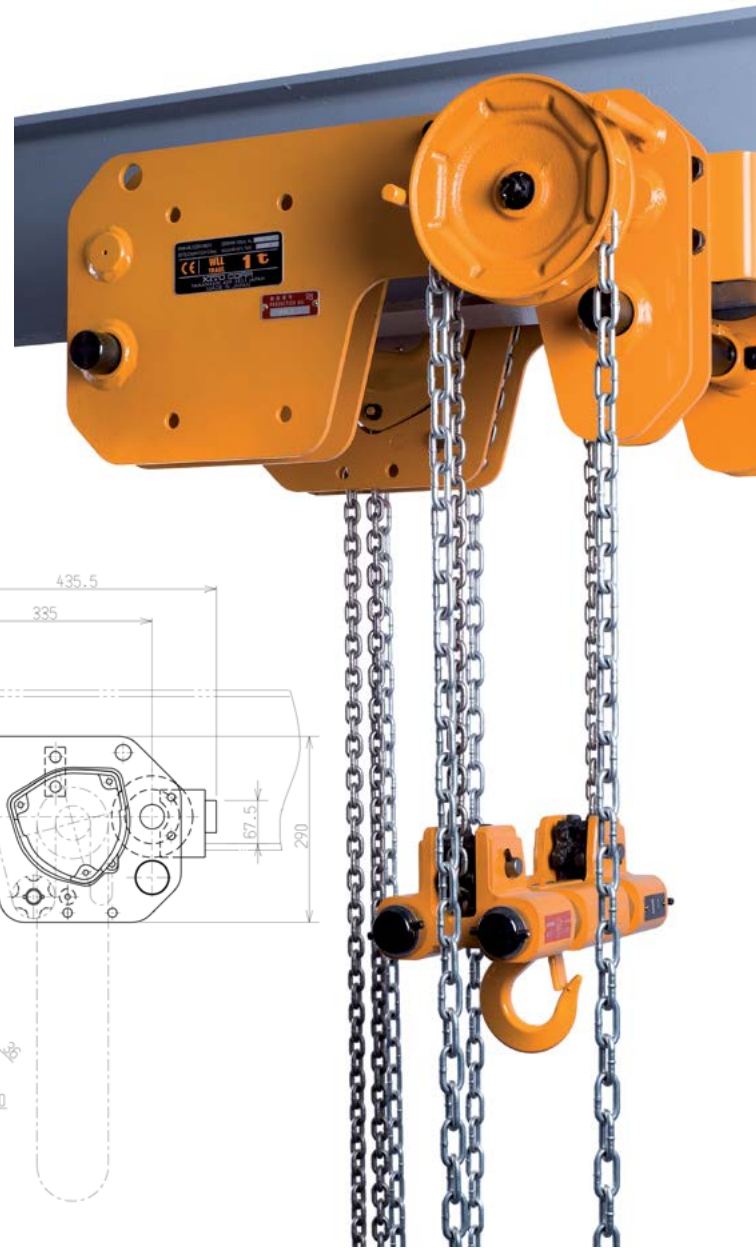
RED ROOSTER LIFTING

STANDARD FEATURES

- ▷ Shock resistant gear case
- ▷ High performance brake
- ▷ Short headroom integrated hook
- ▷ Nickel-plated load chain grade V (G100)
- ▷ Made in Japan

AVAILABLE OPTIONS

- ▷ Overload limiter
- ▷ Canvas chain bucket
- ▷ ATEX



All measurements are in mm

Image for illustration purposes only

MODEL	SHB020
WLL	2000 kg
STANDARD LIFT	3 m
HAND PULL TO LIFT FULL LOAD - HOIST	28.4 daN
HAND PULL TO LIFT FULL LOAD - TROLLEY	2.9 daN
LOAD CHAIN DIAMETER	7.1 x 21.2 mm
CHAIN FALL	2
NET WEIGHT	110.0 kg
WEIGHT PER ADDITIONAL METRE LIFT	4.2 kg

Information subject to change without notice

KITO

RED ROOSTER LIFTING

Nauta House, The Meadows
Oldmeldrum, Aberdeenshire
United Kingdom, AB51 0EZ

T: +44 (0) 1651 872101
E: sales@redroosterlifting.com
W: www.redroosterlifting.com