

SHB100 LOW HEADROOM MANUAL CHAIN HOIST



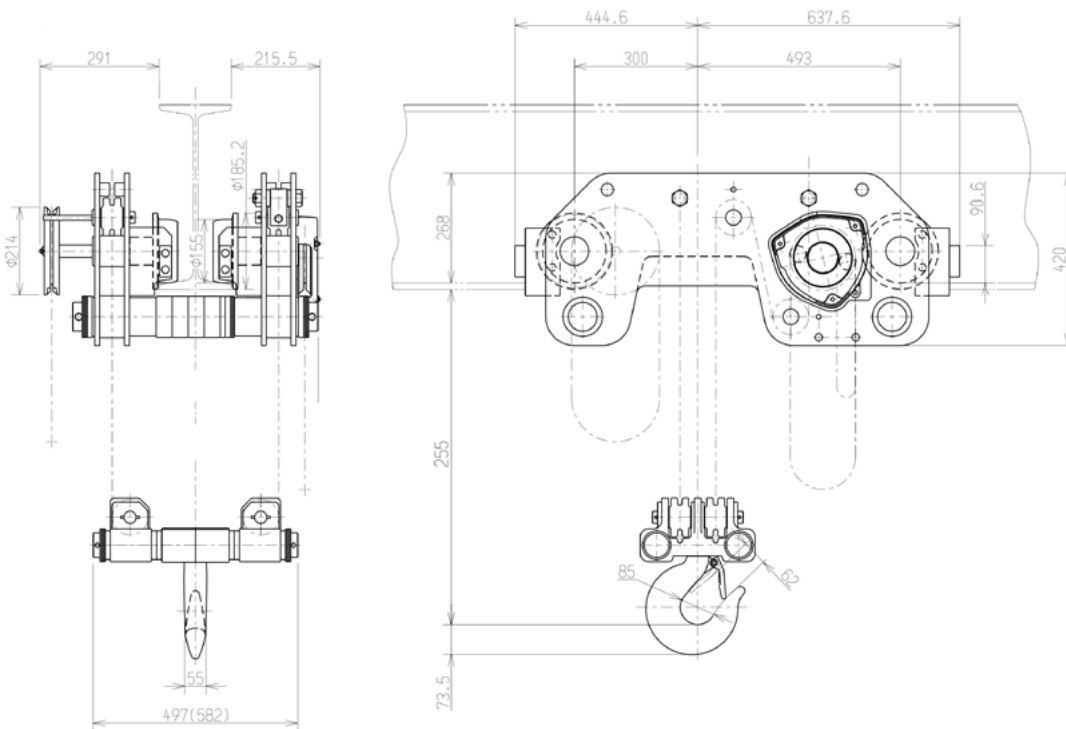
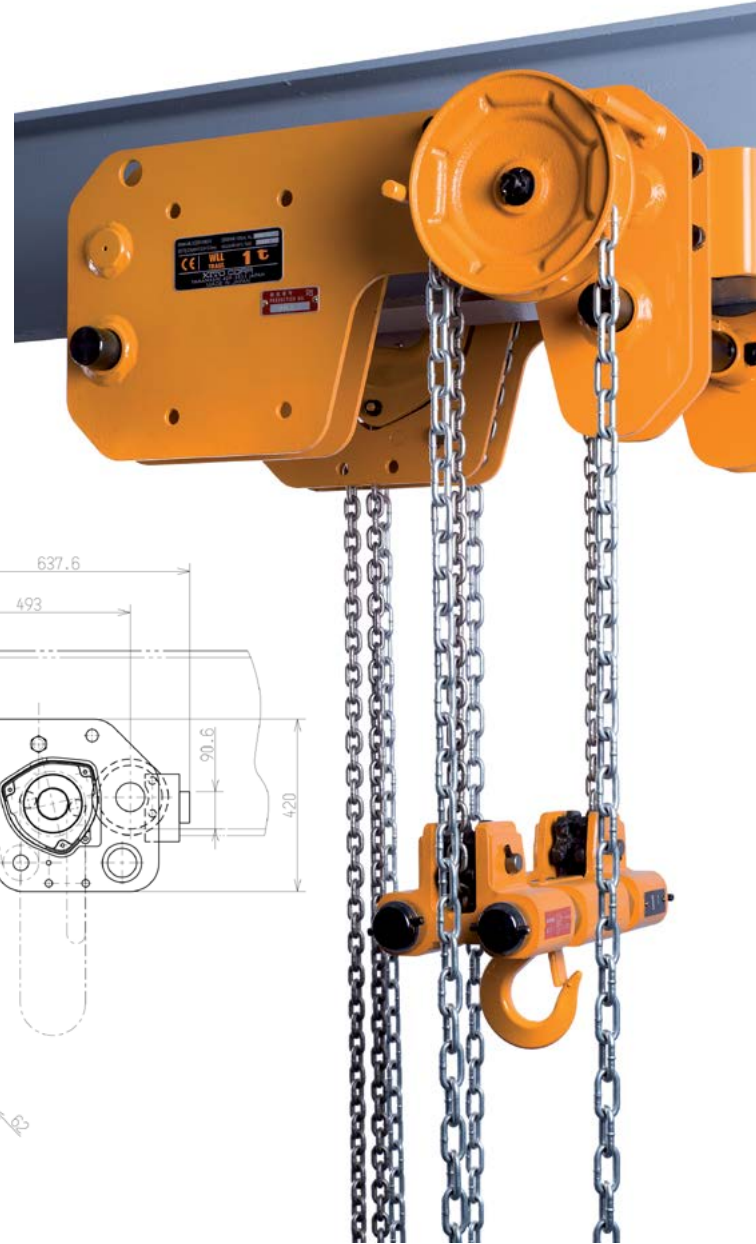
**RED ROOSTER
LIFTING**

STANDARD FEATURES

- ▷ Shock resistant gear case
- ▷ High performance brake
- ▷ Short headroom integrated hook
- ▷ Nickel-plated load chain grade V (G100)
- ▷ Made in Japan

AVAILABLE OPTIONS

- ▷ Overload limiter
- ▷ Canvas chain bucket
- ▷ ATEX



All measurements are in mm

Image for illustration purposes only

MODEL	SHB100
WLL	10000 kg
STANDARD LIFT	3.5 m
HAND PULL TO LIFT FULL LOAD - HOIST	47.0 daN
HAND PULL TO LIFT FULL LOAD - TROLLEY	4.8 daN
LOAD CHAIN DIAMETER	9.0 x 27.2 mm
CHAIN FALL	4
NET WEIGHT	366.0 kg
WEIGHT PER ADDITIONAL METRE LIFT	10.8 kg

Information subject to change without notice

KITO

RED ROOSTER LIFTING

Nauta House, The Meadows
Oldmeldrum, Aberdeenshire
United Kingdom, AB51 0EZ

T: +44 (0) 1651 872101
E: sales@redroosterlifting.com
W: www.redroosterlifting.com