

# EQ001IS - DUAL SPEED ELECTRIC CHAIN HOIST



# RED ROOSTER LIFTING

## STANDARD FEATURES

- ▷ Frequency inverter
- ▷ 380 - 460v / 3 phase
- ▷ Overload protection
- ▷ Counter hour meter
- ▷ Upper - lower limit switch
- ▷ Pull-rotor motor brake
- ▷ Nickel-plated load chain grade DAT (G80)
- ▷ Plastic chain container
- ▷ Ergonomic push button control
- ▷ Control voltage 24 V DC
- ▷ Aluminium die-cast body
- ▷ High duty rating FEM 3m / ISO M6 up to 500 kg

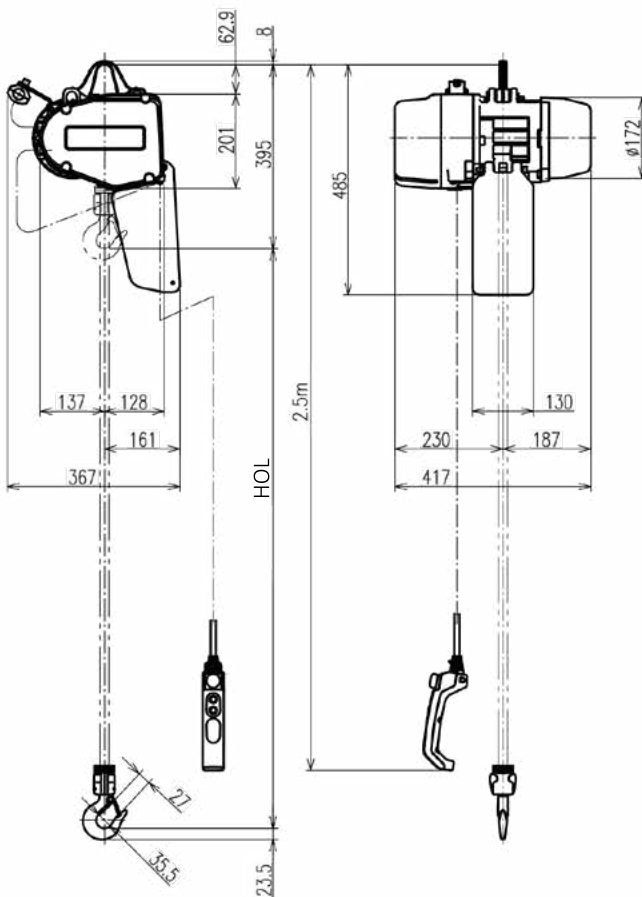
## AVAILABLE OPTIONS

- ▷ Plain Trolley
- ▷ Geared Trolley
- ▷ Motorized Trolley

# KITO



Image for illustration purposes only



All measurements are in mm

MODEL	WLL kg	TRAVERSING MOTOR		LIFTING SPEED m/min		
		OUTPUT kW	RATING % ED	High 0-30%	High 30-100%	Low
EQ001IS	125	0.5	40/20	22.1	17.0	2.8
	CLASSIFICATION ISO / FEM		WEIGHT kg	LOAD CHAIN mm		
	3m			DIA	x	FALLS
		30		5.6	x	1

Information subject to change without notice

## RED ROOSTER LIFTING

Nauta House, The Meadows  
Oldmeldrum, Aberdeenshire  
United Kingdom, AB51 0EZ

T: +44 (0) 1651 872101  
E: sales@redroosterlifting.com  
W: www.redroosterlifting.com