

EQ003IS | 250 KG ELECTRIC CHAIN HOIST



**RED ROOSTER
LIFTING**

RAISING EXPECTATIONS

The EQ003 is a 250 kg compact and lightweight electric chain hoist from KITO. This model is just part of Red Rooster Lifting's full range of KITO equipment available.



Its compactness and its reduced dimensions are some of the special features of KITO's EQ electric chain hoist. The EQ offers in comparison to KITO's ER2 series, a considerable reduction in the net weight by 23%. With the lifting capacities ranging from 250 kg to 1,000 kg the EQ can be used to perform a wide range of tasks. Furthermore a wide variety of suspensions and lifting heights are available.

The EQ includes an inverter that provides an industry-first "light load high-speed" function that automatically increases hoist speed to 130% when the load is less than 30% of WLL. As a result, users can expect the production cycle to improve up to 115% of standard. This unique operating characteristic makes the product ideal for assembly line, work station, and repetitive operation applications.

STANDARD FEATURES

- Frequency inverter (standard speed ratio 6:1)
- 380 – 440 V / 50 Hz / 3 P
- Electronic overload limiter
- Extremely robust Aluminium die-cast body
- Electromagnetic pull-rotor motor brake
- Heavy-duty fan-cooled motor
- Electronic thermal motor protection prevents overheating
- Hanging suspension
- Upper – lower limit switch
- Counter hour meter
- Ergonomic push button control
- Control voltage 24 V DC
- Abrasion-resistant nickel-plated load chain (800 N/mm²), in accordance with standard DIN EN 818-7
- Plastic chain container

T: +44 (0) 1651 872101
sales@redroosterlifting.com

KITO



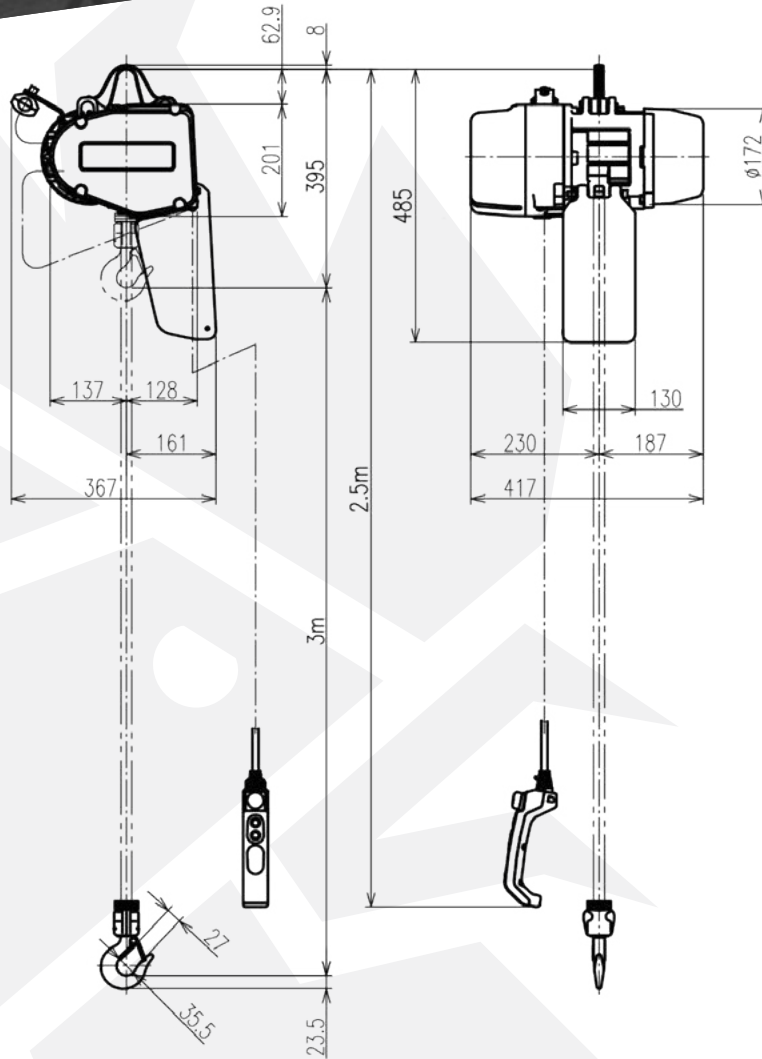
EQ00315 | 250 KG ELECTRIC CHAIN HOIST

**RED ROOSTER
LIFTING**

RAISING EXPECTATIONS

DIMENSIONS

All measurements are in mm
Information subject to change without notice



MODEL	WLL KG	TRAVERSING MOTOR		LIFTING SPEED M/MIN		
		OUTPUT KW	RATING % ED	HIGH 0-30%	HIGH 30-100%	LOW
EQ00315	250	0.5	40/20	13.0	10.0	1.7
MODEL	CLASSIFICATION ISO / FEM	WEIGHT KG	LOAD CHAIN MM			
			DIA	X	FALLS	
EQ00315	3m	30	5.6	x	1	

KITO