

# ER2-003S - ER2-003H SINGLE SPEED ELECTRIC CHAIN HOIST



# RED ROOSTER LIFTING

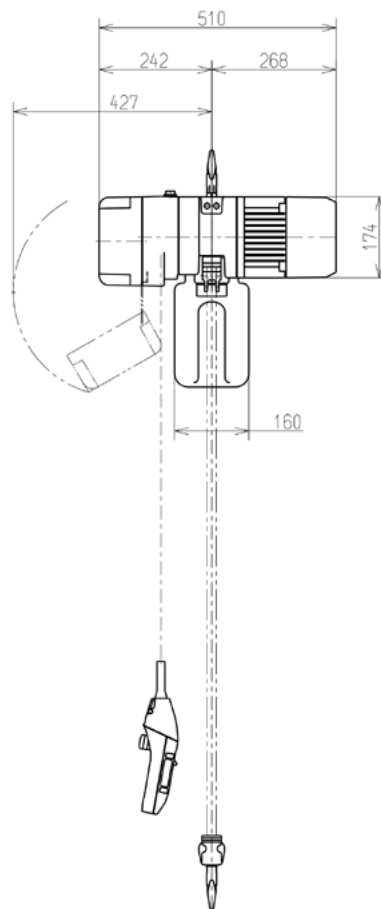
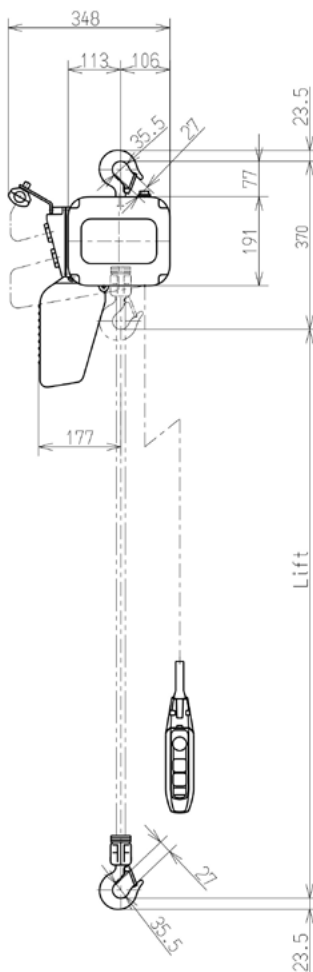
## STANDARD FEATURES

- ▷ 400V / 50Hz / 60Hz
- ▷ Inverter for dual speed
- ▷ Contactor control for single speed
- ▷ Counter hour meter (CH-Meter)
- ▷ Ergonomic push button control
- ▷ Electromagnetic brake
- ▷ Upper/lower limit switch
- ▷ Nickel-plated load chain grade DAT (G80)
- ▷ Thermal protection
- ▷ Carbon friction clutch
- ▷ Chain Collector

## AVAILABLE OPTIONS

- ▷ Geared trolley
- ▷ Plain trolley
- ▷ Motorized trolley
- ▷ Electric overload limiter
- ▷ Steel chain bucket
- ▷ Additional brake (mechanical)
- ▷ Radio remote control
- ▷ 230V / 50Hz / 3 PH
- ▷ 500V contactor control
- ▷ Level limiter for lift/lowering
- ▷ Acoustic overload signal

# KITO



All measurements are in mm



Image for illustration purposes only

MODEL	WLL (KG)	LIFTING MOTOR		LIFTING SPEED M/MIN	LOAD CHAIN			CLASS ISO / FEM	NET WEIGHT (KG)	WEIGHT PER EXTRA METRE HOL (KG)
		OUTPUT (kW)	RATING (%)	50Hz	DIA (MM)	x	CHAIN FALLS			
ER2-003S	250	0.56	60	9.1	4.3	x	1	M5 / 2m	27	0.42
ER2-003H	250	0.9	60	13.4	6.0	X	1	M5 / 2m	37	0.81

Information subject to change without notice

**RED ROOSTER LIFTING**

Nauta House, The Meadows  
Oldmeldrum, Aberdeenshire  
United Kingdom, AB51 0EZ

T: +44 (0) 1651 872101  
E: sales@redroosterlifting.com  
W: www.redroosterlifting.com