

# ER2-016S - SINGLE SPEED ELECTRIC CHAIN HOIST



# RED ROOSTER LIFTING

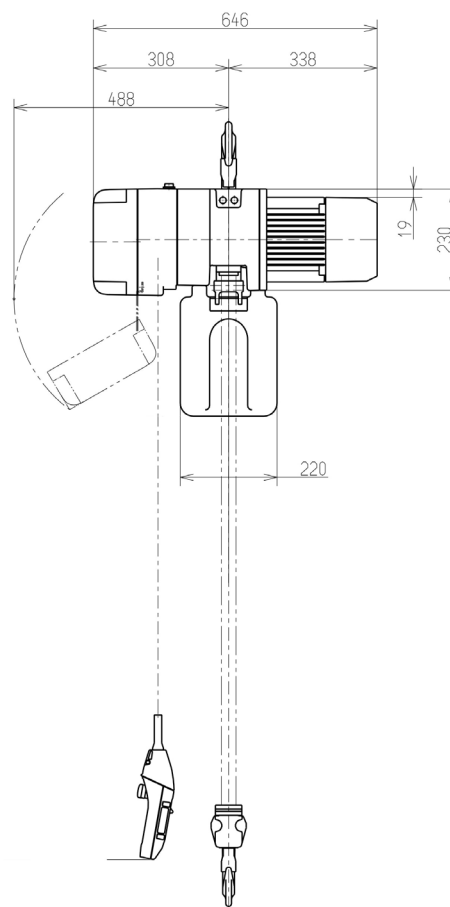
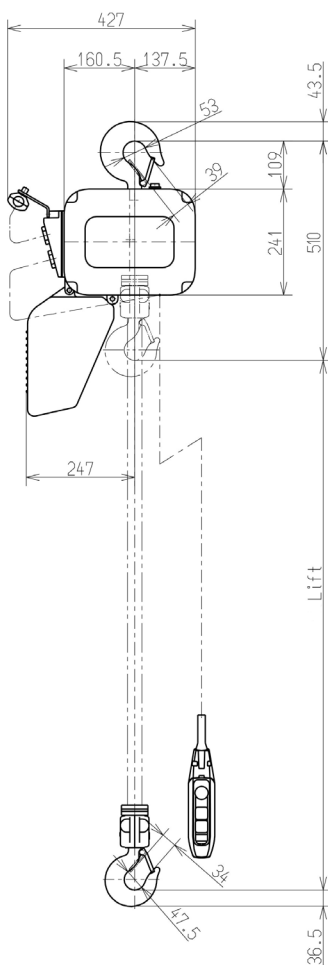
## STANDARD FEATURES

- ▷ 400V / 50Hz / 60Hz
- ▷ Inverter for dual speed
- ▷ Contactor control for single speed
- ▷ Counter hour meter (CH-Meter)
- ▷ Ergonomic push button control
- ▷ Electromagnetic brake
- ▷ Upper/lower limit switch
- ▷ Nickel-plated load chain grade DAT (G80)
- ▷ Thermal protection
- ▷ Carbon friction clutch
- ▷ Chain Collector

## AVAILABLE OPTIONS

- ▷ Geared trolley
- ▷ Plain trolley
- ▷ Motorized trolley
- ▷ Electric overload limiter
- ▷ Steel chain bucket
- ▷ Additional brake (mechanical)
- ▷ Radio remote control
- ▷ 230V / 50Hz / 3 PH
- ▷ 500V contactor control
- ▷ Level limiter for lift/lowering
- ▷ Acoustic overload signal

# KITO



All measurements are in mm

Image for illustration purposes only

MODEL	WLL	LIFTING MOTOR		LIFTING SPEED	LOAD CHAIN		
		OUTPUT	RATING		50Hz	DIA	x
ER2-016S	1600 kg	1.8 kW	60%	4.5	10.2	x	1
	CLASSIFICATION ISO / FEM			NET WEIGHT	ADDITIONAL WEIGHT PER METRE HOL		
	M5 / 2m			72 kg	2.3 kg		

Information subject to change without notice

**RED ROOSTER LIFTING**

Nauta House, The Meadows  
Oldmeldrum, Aberdeenshire  
United Kingdom, AB51 0EZ

T: +44 (0) 1651 872101  
E: sales@redroosterlifting.com  
W: www.redroosterlifting.com