

ER2-020L - ER2-020S SINGLE SPEED ELECTRIC HOIST



RED ROOSTER LIFTING

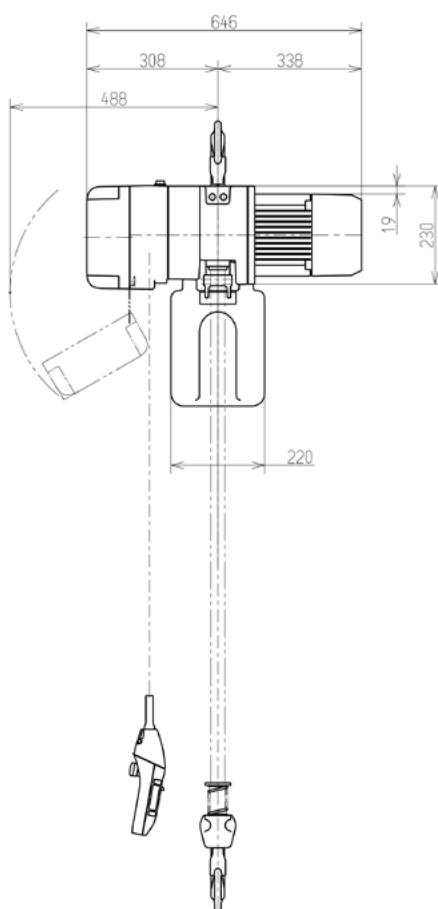
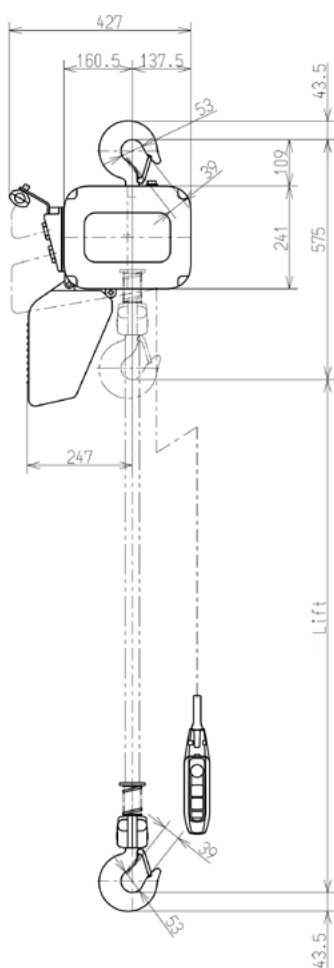
STANDARD FEATURES

- ▷ 400V / 50Hz / 60Hz
- ▷ Inverter for dual speed
- ▷ Contactor control for single speed
- ▷ Counter hour meter (CH-Meter)
- ▷ Ergonomic push button control
- ▷ Electromagnetic brake
- ▷ Upper/lower limit switch
- ▷ Nickel-plated load chain grade DAT (G80)
- ▷ Thermal protection
- ▷ Carbon friction clutch
- ▷ Chain Collector

AVAILABLE OPTIONS

- ▷ Geared trolley
- ▷ Plain trolley
- ▷ Motorized trolley
- ▷ Electric overload limiter
- ▷ Steel chain bucket
- ▷ Additional brake (mechanical)
- ▷ Radio remote control
- ▷ 230V / 50Hz / 3 PH
- ▷ 500V contactor control
- ▷ Level limiter for lift/lowering
- ▷ Acoustic overload signal

KITO



All measurements are in mm

Image for illustration purposes only

MODEL	WLL (KG)	LIFTING MOTOR		LIFTING SPEED M/MIN	LOAD CHAIN			CLASS ISO / FEM	NET WEIGHT (KG)	WEIGHT PER EXTRA METRE HOL (KG)
		OUTPUT (kW)	RATING (%)	50Hz	DIA (MM)	x	CHAIN FALLS			
ER2-020L	2000	1.8	60	3.7	10.2	x	1	M4 / 1Am	73	2.3
ER2-020S	2000	3.5	60	7.0	10.2	X	1	M4 / 1Am	91	2.3

Information subject to change without notice

RED ROOSTER LIFTING

Nauta House, The Meadows
Oldmeldrum, Aberdeenshire
United Kingdom, AB51 0EZ

T: +44 (0) 1651 872101
E: sales@redroosterlifting.com
W: www.redroosterlifting.com