

ER2-050S - SINGLE SPEED ELECTRIC CHAIN HOIST



RED ROOSTER LIFTING

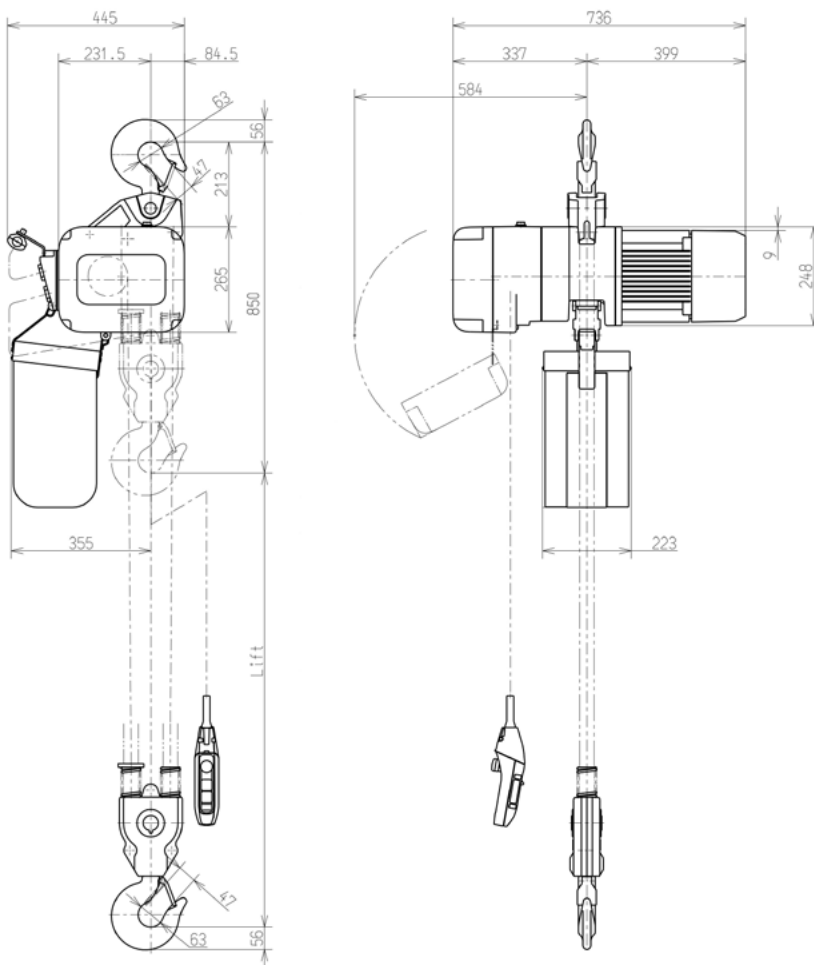
STANDARD FEATURES

- ▷ 400V / 50Hz / 60Hz
- ▷ Inverter for dual speed
- ▷ Contactor control for single speed
- ▷ Counter hour meter (CH-Meter)
- ▷ Ergonomic push button control
- ▷ Electromagnetic brake
- ▷ Upper/lower limit switch
- ▷ Nickel-plated load chain grade DAT (G80)
- ▷ Thermal protection
- ▷ Carbon friction clutch
- ▷ Chain Collector

AVAILABLE OPTIONS

- ▷ Geared trolley
- ▷ Plain trolley
- ▷ Motorized trolley
- ▷ Electric overload limiter
- ▷ Steel chain bucket
- ▷ Additional brake (mechanical)
- ▷ Radio remote control
- ▷ 230V / 50Hz / 3 PH
- ▷ 500V contactor control
- ▷ Level limiter for lift/lowering
- ▷ Acoustic overload signal

KITO



All measurements are in mm



Image for illustration purposes only

MODEL	WLL	LIFTING MOTOR		LIFTING SPEED	LOAD CHAIN		
		OUTPUT	RATING		50Hz	DIA	x
ER2-050S	5000 kg	3.5 kW	60%	2.9	11.2	x	2
	CLASSIFICATION ISO / FEM			NET WEIGHT	ADDITIONAL WEIGHT PER METRE HOL		
	M4 / 1Am			132 kg	5.6 kg		

Information subject to change without notice

RED ROOSTER LIFTING

Nauta House, The Meadows
Oldmeldrum, Aberdeenshire
United Kingdom, AB51 0EZ

T: +44 (0) 1651 872101
E: sales@redroosterlifting.com
W: www.redroosterlifting.com