

ER2-001IH - DUAL SPEED ELECTRIC CHAIN HOIST



RED ROOSTER LIFTING

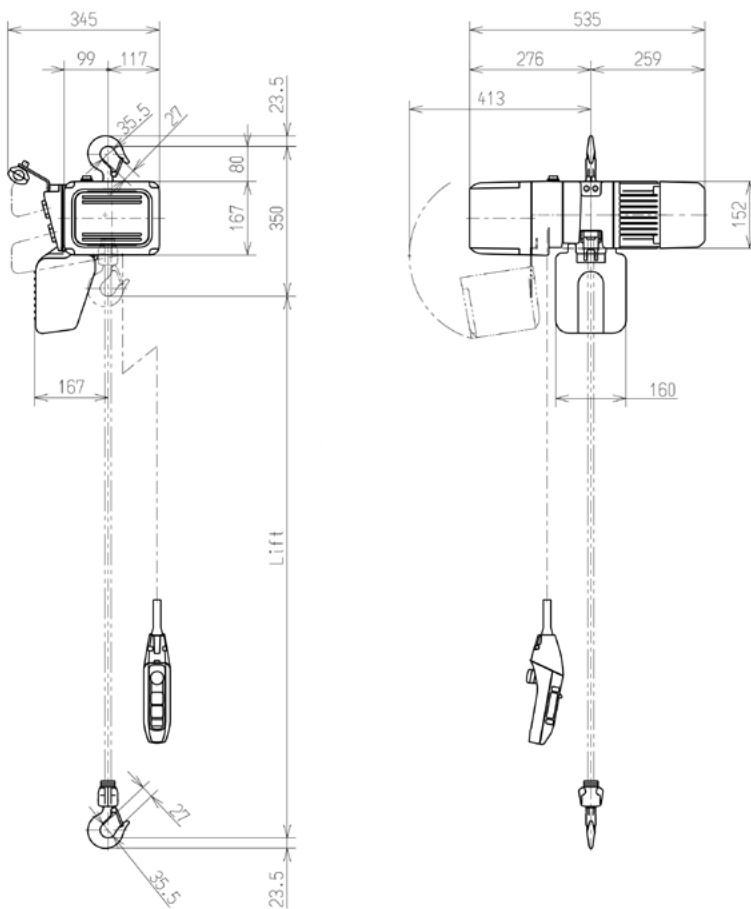
STANDARD FEATURES

- ▷ 400V / 50Hz / 60Hz
- ▷ Inverter for dual speed
- ▷ Contactor control for single speed
- ▷ Counter hour meter (CH-Meter)
- ▷ Ergonomic push button control
- ▷ Electromagnetic brake
- ▷ Upper/lower limit switch
- ▷ Nickel-plated load chain grade DAT (G80)
- ▷ Thermal protection
- ▷ Carbon friction clutch
- ▷ Chain Collector

AVAILABLE OPTIONS

- ▷ Geared trolley
- ▷ Plain trolley
- ▷ Motorized trolley
- ▷ Electric overload limiter
- ▷ Steel chain bucket
- ▷ Additional brake (mechanical)
- ▷ Radio remote control
- ▷ 230V / 50Hz / 3 PH
- ▷ 500V contactor control
- ▷ Level limiter for lift/lowering
- ▷ Acoustic overload signal

KITO



All measurements are in mm



Image for illustration purposes only

MODEL	WLL (KG)	LIFTING MOTOR		LIFTING SPEED M/MIN			LOAD CHAIN		
		OUTPUT (kW)	RATING (%)	PRESET ADJUSTABLE	50Hz		DIA (MM)	x	CHAIN FALLS
					HIGH	LOW			
ER2-001IH	125	0.56	60	16.6	2.8	4.3	x	1	
					1.4				
				CLASSIFICATION ISO / FEM		NET WEIGHT (KG)		ADDITIONAL WEIGHT PER METRE HOL (KG)	
M6 / 3m		27		0.42					

Information subject to change without notice

RED ROOSTER LIFTING

Nauta House, The Meadows
Oldmeldrum, Aberdeenshire
United Kingdom, AB51 0EZ

T: +44 (0) 1651 872101
E: sales@redroosterlifting.com
W: www.redroosterlifting.com