

WW250-1500/2D WORM GEAR WINCH



RED ROOSTER LIFTING

STANDARD FEATURES

- ▷ Robust and safe hoisting winch
- ▷ Suitable for two cables
- ▷ In compliance with EN13157, DIN 15020 and EX types ATEX 114 (94/9/EG)
- ▷ Static safety factor 4
- ▷ Square worm-wormwheel transmission and maintenance free bearings
- ▷ Cable outlet upwards, downwards or at rear
- ▷ Adjustable crank, with ergonomic grip
- ▷ Easy to grease worm-wormwheel transmission
- ▷ Load pressure brake with silent double ratchet system
- ▷ Paint thickness is 60 - 80 Micron in 1 layer (in compliance with DIN/ISO 12944, C1M)
- ▷ Two compartment cable drum



Image for illustration purposes only

AVAILABLE OPTIONS

- ▷ Zinc-plated finish (6 - 8 Micron)
- ▷ ATEX certified II 3 GD T4, suitable for zone 2 and 22
- ▷ Grooved drum
- ▷ Crank force limiter
- ▷ WW1000 and WW1500 are suitable for winch power tool AM5000

TYPE	MOUNTING	MATERIAL	REMARKS
WW250 GR / 2D	WALL, 4 x M12 CLASS 8.8	PAINTED FINISH	RAL 7035 (GREY)
WW250 EV / 2D	WALL, 4 x M12 CLASS 8.8	ZINC-PLATED FINISH	
WW500 GR / 2D	WALL, 4 x M12 CLASS 8.8	PAINTED FINISH	RAL 7035 (GREY)
WW500 EV / 2D	WALL, 4 x M12 CLASS 8.8	ZINC-PLATED FINISH	
WW1000 GR / 2D	WALL, 4 x M16 CLASS 8.8	PAINTED FINISH	RAL 7035 (GREY)
WW1000 EV / 2D	WALL, 4 x M16 CLASS 8.8	ZINC-PLATED FINISH	
WW1500 GR / 2D	WALL, 4 x M16 CLASS 8.8	PAINTED FINISH	RAL 7035 (GREY)
WW1500 EV / 2D	WALL, 4 x M16 CLASS 8.8	ZINC-PLATED FINISH	

TECHNICAL SPECIFICATIONS	WW250	WW500	WW1000	WW1500
1ST CABLE LAYER	2 x 125 kg	2 x 250 kg	2 x 500 kg	2 x 750 kg
LAST CABLE LAYER	2 x 46 kg	2 x 104 kg	2 x 243 kg	2 x 399 kg
CRANKFORCE 1ST CABLE POSITION	6 daN	10 daN	13 daN	14 daN
HOISTING LENGTH BY ONE ROTATION OF THE CRANK 1ST LAYER	17 mm	20 mm	13 mm	9 mm
CABLE CAPACITY	44 m	84 m	64 m	28 m
DIAMETER CABLE (EN 12383-4)	4 mm	4 mm	6 mm	8 mm
MIN. BREAKING LOAD CABLE	9 kN	9 kN	17 kN	34 kN
OWN WEIGHT	13.5 kg	16.5 kg	27.5 kg	28.5 kg

Information subject to change without notice

RED ROOSTER LIFTING

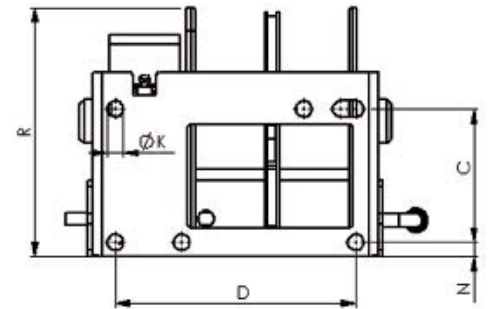
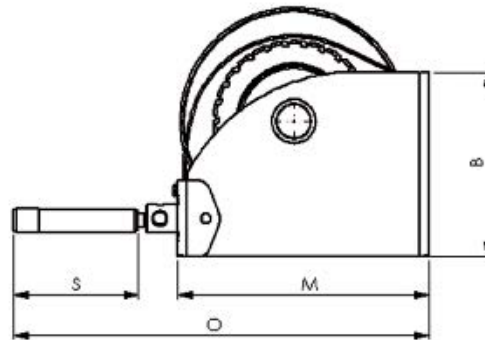
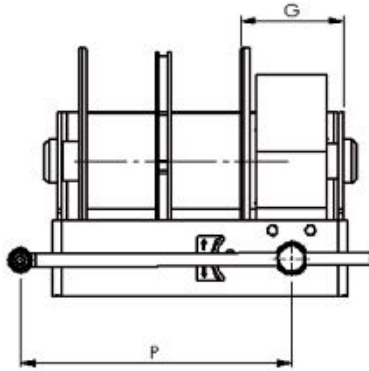
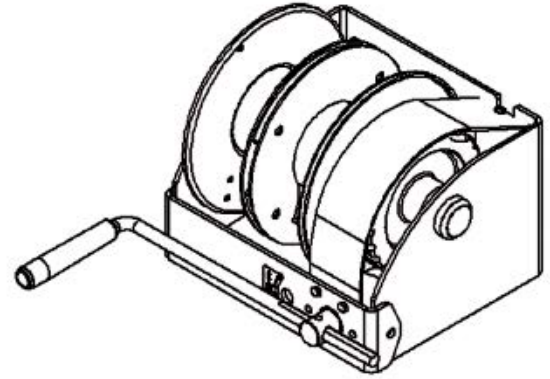
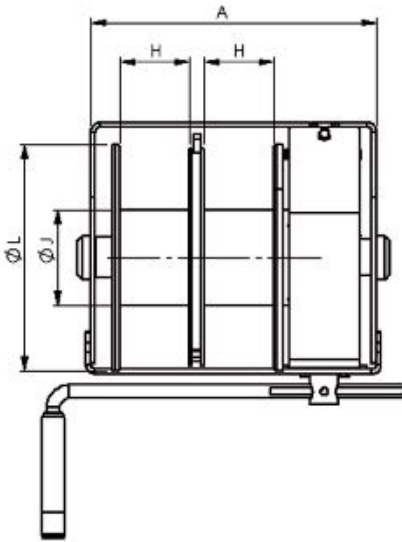
Nauta House, The Meadows
Oldmeldrum, Aberdeenshire
United Kingdom, AB51 0EZ

T: +44 (0) 1651 872101
E: sales@redroosterlifting.com
W: www.redroosterlifting.com

WW250-1500/2D WORM GEAR WINCH



RED ROOSTER LIFTING



DIMENSIONS (mm)	A	B	C	D	G	H	J	K	L	M	N	O	P	R	S
WW250	238	145	100	192	107	47	48	14	160	191	15	365	280	171	132
WW500	269	160	115	223	108	62	70	14	190	221	15	393	325	193	132
WW1000	302	195	141	254	109	73	102	17	240	266	15	440	350	263	132
WW1500	302	250	178	254	109	73	102	17	240	278	15	451	350	306	132

RED ROOSTER LIFTING

Nauta House, The Meadows
Oldmeldrum, Aberdeenshire
United Kingdom, AB51 0EZ

T: +44 (0) 1651 872101
E: sales@redroosterlifting.com
W: www.redroosterlifting.com