

WW2000-5000/D/FSB WORM GEAR WINCH



RED ROOSTER LIFTING

STANDARD FEATURES

- ▷ Robust and safe hoisting or pulling winch with two speeds
- ▷ Pulling capacity is approx. 2.5x hoisting capacity
- ▷ Free spooling cable drum with an adjustable friction brake for controlled cable unwinding
- ▷ In compliance with EN13157, DIN 15020 and EX types ATEX 114 (94/9/EG)
- ▷ Static safety factor 4
- ▷ Square worm-wormwheel transmission and maintenance free bearings
- ▷ Cable outlet upwards, downwards or at rear
- ▷ Adjustable crank, with ergonomic grip
- ▷ Easy to grease worm-wormwheel transmission
- ▷ Load pressure brake with silent double ratchet system
- ▷ Paint thickness is 60 - 80 Micron in 1 layer (in compliance with DIN/ISO 12944, C1M)

AVAILABLE OPTIONS

- ▷ Zinc-plated finish (6 - 8 Micron)
- ▷ ATEX certified II 3 GD T4 suitable for zone 2 and 22
- ▷ Grooved drum
- ▷ Multiple compartment cable drum
- ▷ Suitable for winch power tool AM5000



Image for illustration purposes only

TYPE	MOUNTING	MATERIAL	REMARKS
WW2000 GR / D / FS	WALL / FLOOR, 4 x M20 CLASS 8.8	PAINTED FINISH	RAL 7035 (GREY)
WW2000 EV / D / FS	WALL / FLOOR, 4 x M20 CLASS 8.8	STAINLESS STEEL	
WW3000 GR / D / FS	WALL / FLOOR, 4 x M20 CLASS 8.8	PAINTED FINISH	RAL 7035 (GREY)
WW3000 EV / D / FS	WALL / FLOOR, 4 x M20 CLASS 8.8	STAINLESS STEEL	
WW4000 GR / D / FS	WALL / FLOOR, 4 x M20 CLASS 8.8	PAINTED FINISH	RAL 7035 (GREY)
WW4000 EV / D / FS	WALL / FLOOR, 4 x M20 CLASS 8.8	STAINLESS STEEL	
WW5000 GR / D / FS	WALL / FLOOR, 4 x M20 CLASS 8.8	PAINTED FINISH	RAL 7035 (GREY)
WW5000 EV / D / FS	WALL / FLOOR, 4 x M20 CLASS 8.8	STAINLESS STEEL	

TECHNICAL SPECIFICATIONS	WW2000	WW3000	WW4000	WW5000
1ST CABLE LAYER	1000 kg	1500 kg	4000 kg	5000 kg
LAST CABLE LAYER	1038 kg	1667 kg	2282 kg	3276 kg
CRANKFORCE 1ST CABLE POSITION	24 (11) daN	31 (14) daN	30 (13) daN	73 (14) daN
HOISTING LENGTH BY ONE ROTATION OF THE CRANK 1ST LAYER	12 (5) mm	11 (5) mm	11 (2) mm	13 (3) mm
CABLE CAPACITY	59 m	57 m	43 m	33 m
DIAMETER CABLE (EN 12383-4)	11 mm	14 mm	16 mm	18 mm
MIN. BREAKING LOAD CABLE	63 kN	102 kN	133 kN	168 kN
OWN WEIGHT	63 kg	82 kg	84 kg	122 kg

Information subject to change without notice

RED ROOSTER LIFTING

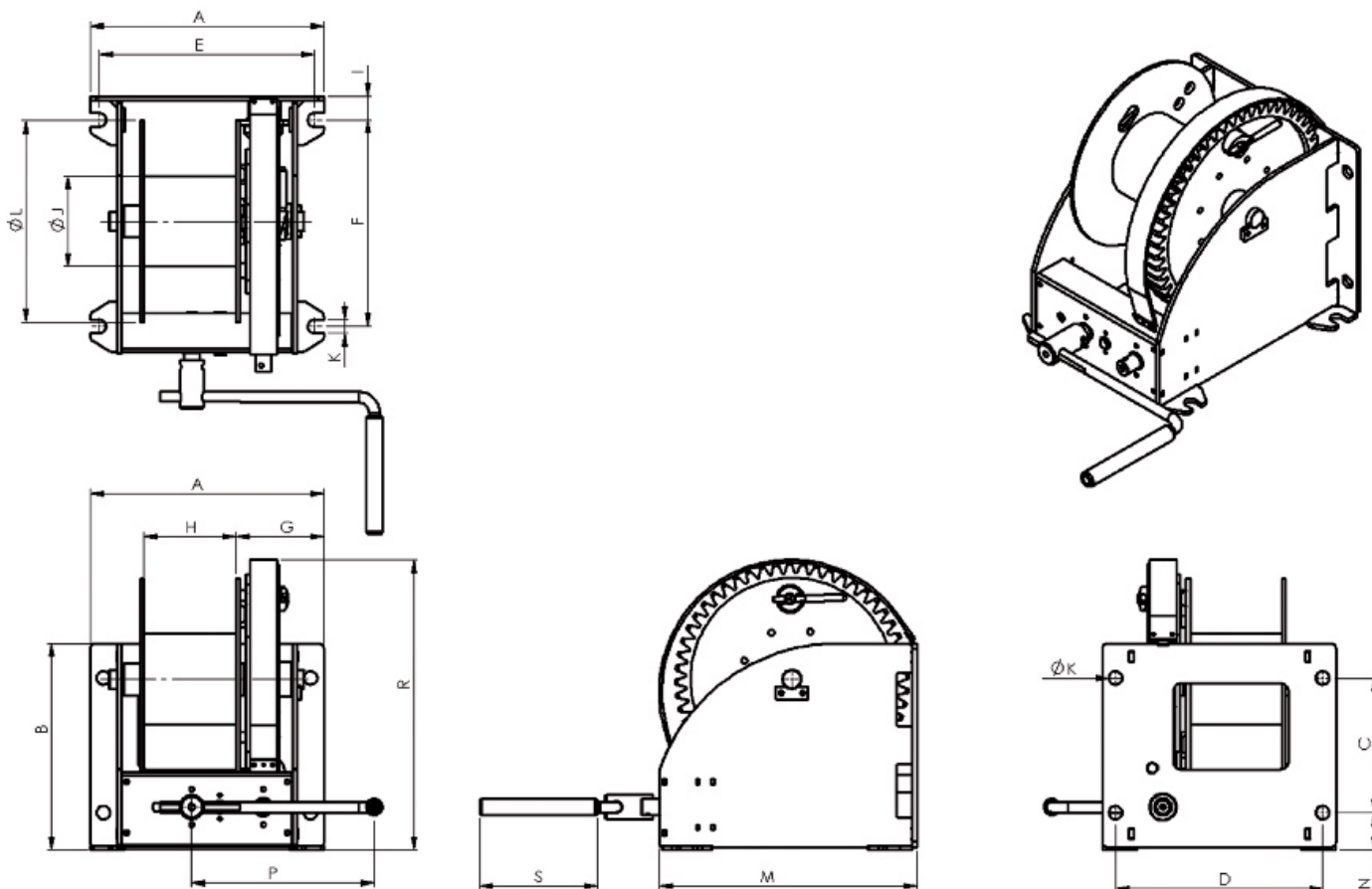
Nauta House, The Meadows
Oldmeldrum, Aberdeenshire
United Kingdom, AB51 0EZ

T: +44 (0) 1651 872101
E: sales@redroosterlifting.com
W: www.redroosterlifting.com

WW2000-5000/D/FSB WORM GEAR WINCH



RED ROOSTER LIFTING



DIMENSIONS (mm)	A	B	C	D	E	F	G	H	I	J	K	L	M	N	P	R	S
WW2000	432	310	196	382	398	279	166	147	42	133	25	312	372	62	380	437	220
WW3000	458	385	251	408	423	385	164	172	44	168	25	375	480	70	380	541	220
WW4000	458	385	251	408	423	385	164	172	44	168	25	375	480	70	380	541	220
WW5000	458	472	316	408	423	420	171	168	44	219	25	437	515	80	380	625	220

RED ROOSTER LIFTING

Nauta House, The Meadows
Oldmeldrum, Aberdeenshire
United Kingdom, AB51 0EZ

T: +44 (0) 1651 872101
E: sales@redroosterlifting.com
W: www.redroosterlifting.com