

HW200-800 SPUR GEAR WINCH



RED ROOSTER
LIFTING

STANDARD FEATURES

- ▷ Safe hoisting winch
- ▷ Load pressure brake with ratchet system
- ▷ Maintenance-free bearing
- ▷ Ergonomic grip
- ▷ Painted or stainless steel version
- ▷ In compliance with DIN 15020



Image for illustration purposes only

TYPE	MOUNTING	MATERIAL	REMARKS
HW200 GR	GROUND, 3 x M8 CLASS 8.8	PAINTED FINISH	RAL 7035 (GREY)
HW200 SS	GROUND, 3 x M8 CLASS 8.8	STAINLESS STEEL	
HW800 SS	GROUND, 4 x M8 CLASS 8.8	STAINLESS STEEL	

TECHNICAL SPECIFICATIONS	HW200	HW800
1ST CABLE LAYER	200 kg	800 kg
LAST CABLE LAYER	86 kg	491 kg
CRANKFORCE 1ST CABLE POSITION	8 daN	13 daN
HOISTING LENGTH BY ONE ROTATION OF THE CRANK 1ST LAYER	40 mm	26 mm
CABLE CAPACITY	31 m	15 m
DIAMETER CABLE (EN 12383-4)	4 mm	8 mm
MIN. BREAKING LOAD CABLE	9 kN	34 kN
OWN WEIGHT	4 kg	10 kg

Information subject to change without notice

RED ROOSTER LIFTING

Nauta House, The Meadows
Oldmeldrum, Aberdeenshire
United Kingdom, AB51 0EZ

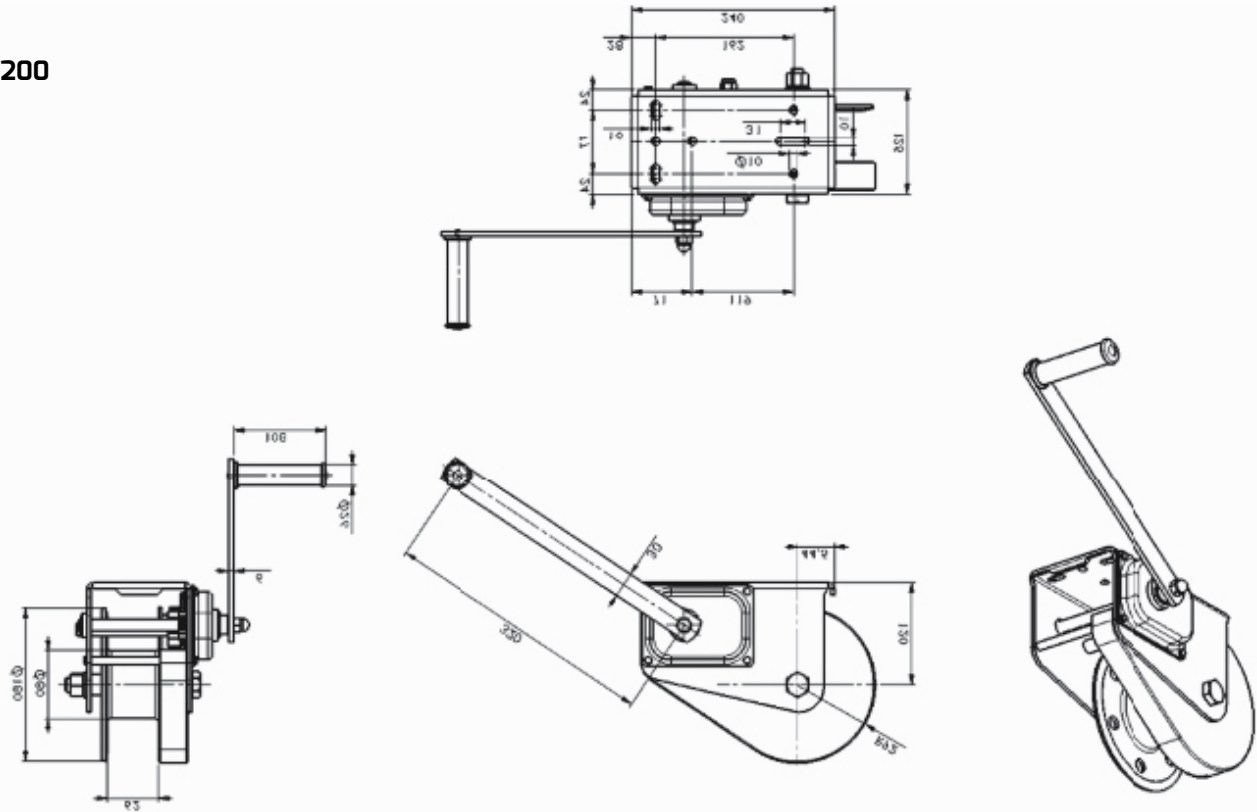
T: +44 (0) 1651 872101
E: sales@redroosterlifting.com
W: www.redroosterlifting.com

HW200-800 SPUR GEAR WINCH

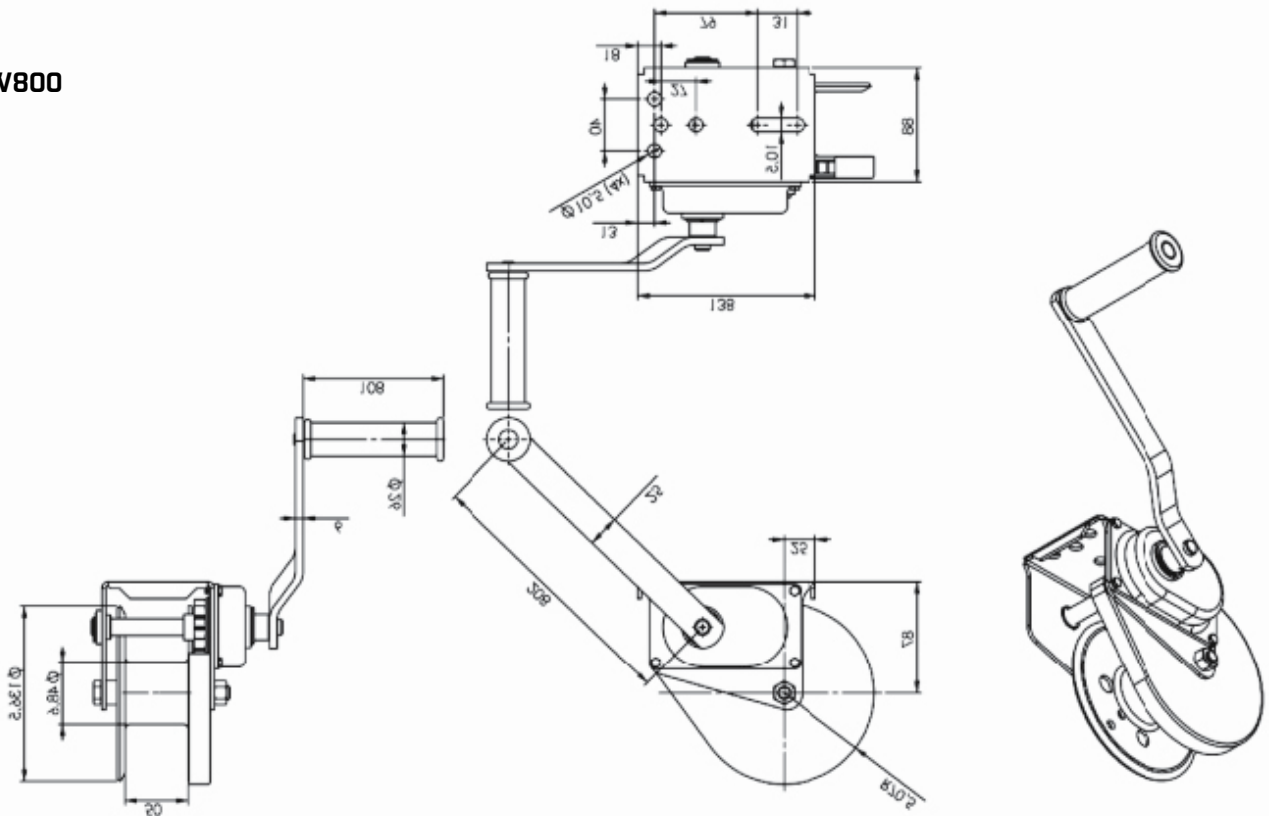


RED ROOSTER LIFTING

HW200



HW800



All measurements are in mm