

TL150 SPUR GEAR WINCH



RED ROOSTER LIFTING

STANDARD FEATURES

- ▷ Robust and safe hoisting winch
- ▷ Static safety factor of 4
- ▷ Load pressure brake with double ratchet system
- ▷ Maintenance-free bearing
- ▷ Adjustable crank from 250 to 280 mm, ergonomic plastic grip
- ▷ Cable outlet upwards, downwards or at rear
- ▷ Paint thickness is 60 - 80 Micron in 1 layer (in compliance with DIN/ISO 12944, C1M)
- ▷ Optional ATEX certified II 3 GD T3, suitable for zone 2 and 22
- ▷ In compliance with EN 13157 and DIN 15020 and EX types ATEX 114 (94/9/EG)



Image for illustration purposes only

TYPE	MOUNTING	MATERIAL	REMARKS
TL150 GR	WALL, 3 x M8 CLASS 8.8	PAINTED FINISH	RAL 7035 (GREY)
TL150 EV	WALL, 3 x M8 CLASS 8.8	ZINC-PLATED FINISH	

TECHNICAL SPECIFICATIONS	TL150
1ST CABLE LAYER	150 kg
LAST CABLE LAYER	68 kg
CRANKFORCE 1ST CABLE POSITION	11 daN
HOISTING LENGTH BY ONE ROTATION OF THE CRANK 1ST LAYER	122 mm
CABLE CAPACITY	13 m
DIAMETER CABLE (EN 12383-4)	4 mm
MIN. BREAKING LOAD CABLE	9 kN
OWN WEIGHT	4 kg

Information subject to change without notice

RED ROOSTER LIFTING

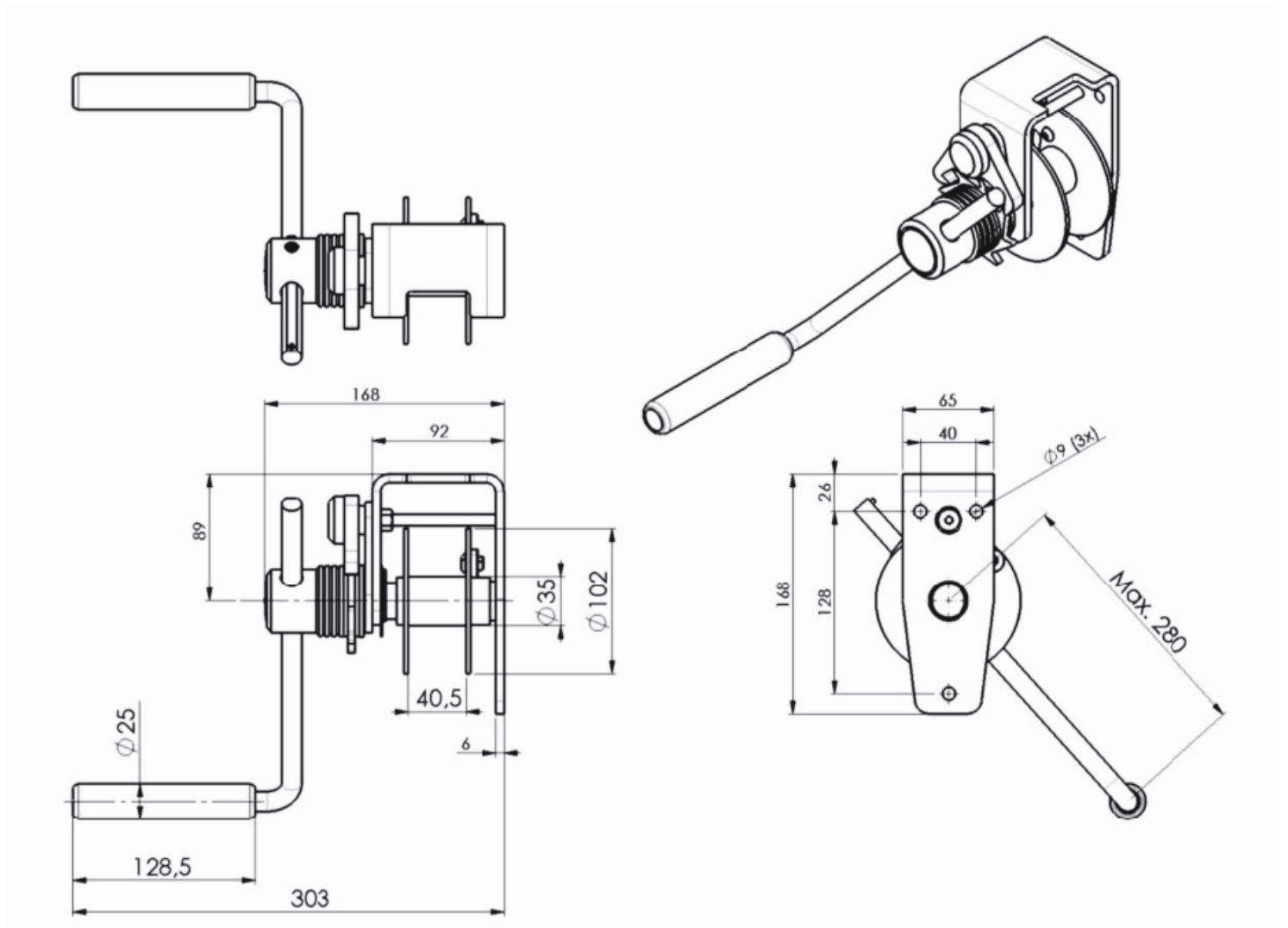
Nauta House, The Meadows
Oldmeldrum, Aberdeenshire
United Kingdom, AB51 0EZ

T: +44 (0) 1651 872101
E: sales@redroosterlifting.com
W: www.redroosterlifting.com

TL150 SPUR GEAR WINCH



RED ROOSTER LIFTING



All measurements are in mm

RED ROOSTER LIFTING

Nauta House, The Meadows
Oldmeldrum, Aberdeenshire
United Kingdom, AB51 0EZ

T: +44 (0) 1651 872101
E: sales@redroosterlifting.com
W: www.redroosterlifting.com