

TL300-600 SPUR GEAR WINCH



RED ROOSTER LIFTING

STANDARD FEATURES

- ▷ Robust and safe hoisting winch
- ▷ Static safety factor of 4
- ▷ Load pressure brake with double ratchet system
- ▷ Maintenance-free bearing
- ▷ Adjustable crank from 250 to 325 mm, ergonomic grip
- ▷ Cable outlet upwards, downwards or at rear
- ▷ Paint thickness is 60 - 80 Micron in 1 layer (in compliance with DIN/ISO 12944, C1M)
- ▷ Optional ATEX certified II 3 GD T3, suitable for zone 2 and 22
- ▷ Closed gearbox
- ▷ In compliance with EN 13157 and DIN 15020 and EX types ATEX 114 (94/9/EG)



Image for illustration purposes only

TYPE	MOUNTING	MATERIAL	REMARKS
TL300 GR	WALL, 4 x M8 CLASS 8.8	PAINTED FINISH	RAL 7035 (GREY)
TL300 EV	WALL, 4 x M8 CLASS 8.8	ZINC-PLATED FINISH	
TL600 GR	WALL, 4 x M8 CLASS 8.8	PAINTED FINISH	RAL 7035 (GREY)
TL600 EV	WALL, 4 x M8 CLASS 8.8	ZINC-PLATED FINISH	

TECHNICAL SPECIFICATIONS	TL300	TL600
1ST CABLE LAYER	300 kg	600 kg
LAST CABLE LAYER	172 kg	336 kg
CRANKFORCE 1ST CABLE POSITION	6 daN	10 daN
HOISTING LENGTH BY ONE ROTATION OF THE CRANK 1ST LAYER	32 mm	28 mm
CABLE CAPACITY	35 m	12 m
DIAMETER CABLE (EN 12383-4)	4 mm	6 mm
MIN. BREAKING LOAD CABLE	9 kN	17 kN
OWN WEIGHT	10 kg	11 kg

Information subject to change without notice

RED ROOSTER LIFTING

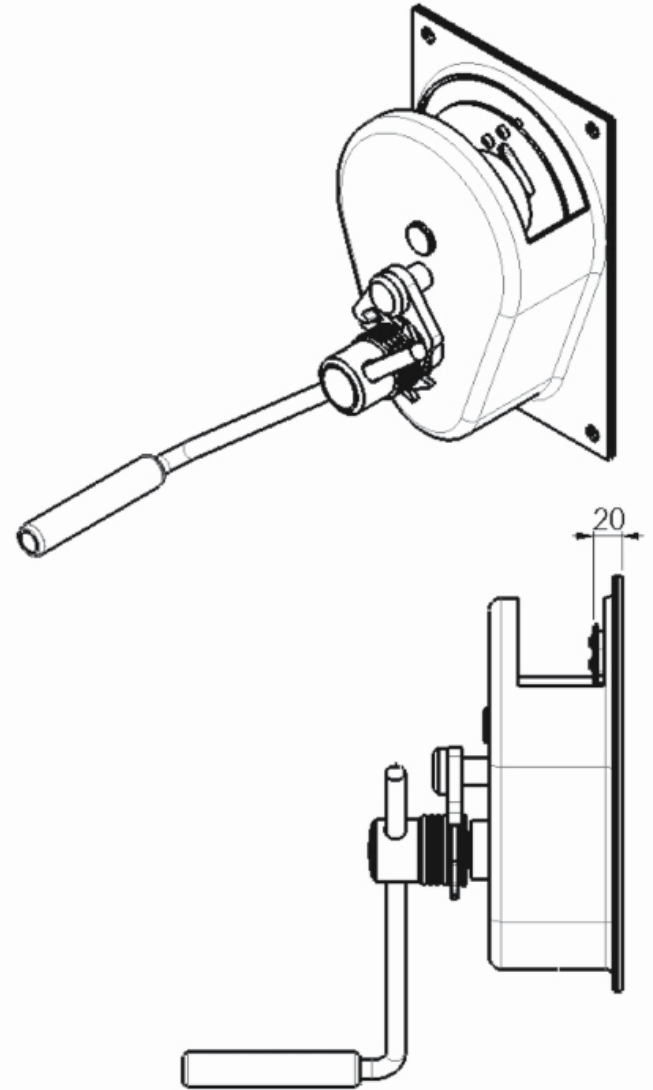
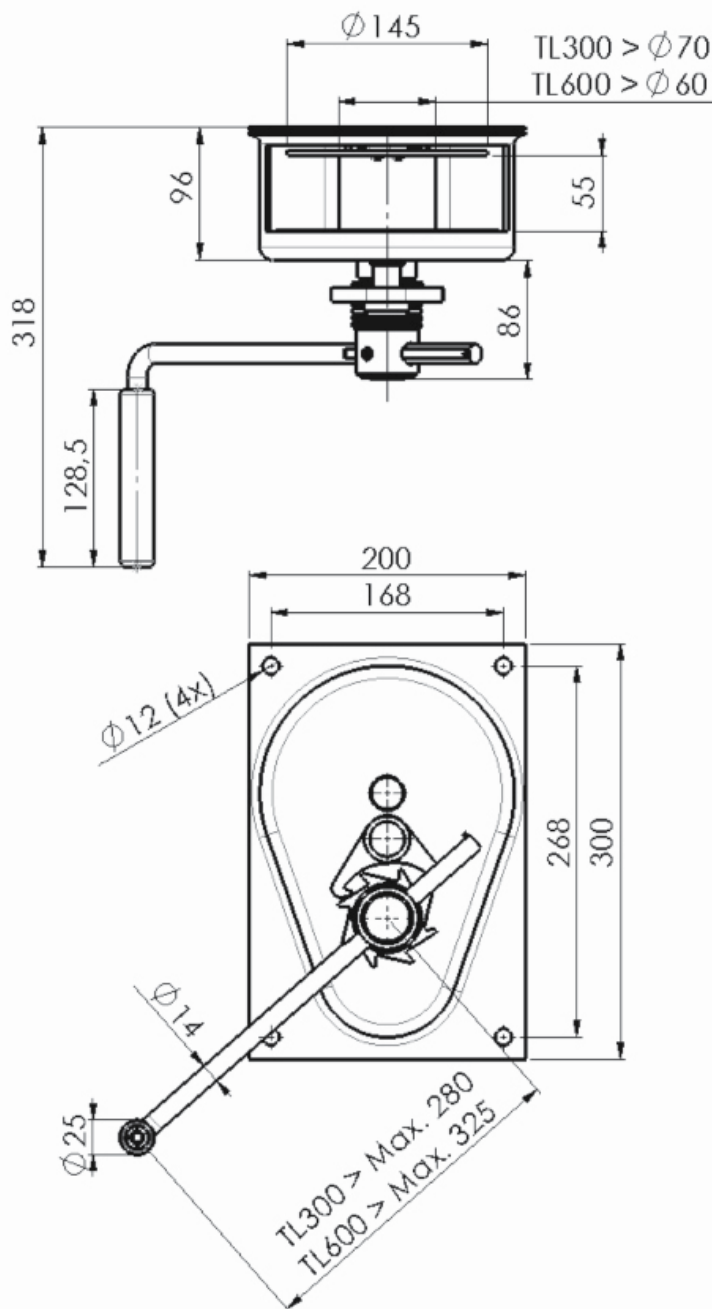
Nauta House, The Meadows
Oldmeldrum, Aberdeenshire
United Kingdom, AB51 0EZ

T: +44 (0) 1651 872101
E: sales@redroosterlifting.com
W: www.redroosterlifting.com

TL300-600 SPUR GEAR WINCH



RED ROOSTER
LIFTING



All measurements are in mm

RED ROOSTER LIFTING

Nauta House, The Meadows
Oldmeldrum, Aberdeenshire
United Kingdom, AB51 0EZ

T: +44 (0) 1651 872101
E: sales@redroosterlifting.com
W: www.redroosterlifting.com