

# TL1000-1500 SPUR GEAR WINCH



# RED ROOSTER LIFTING

## STANDARD FEATURES

- ▷ Robust and safe hoisting winch
- ▷ Static safety factor of 4
- ▷ Load pressure brake with double ratchet system
- ▷ Maintenance-free bearing
- ▷ Adjustable crank from 250 to 325 mm, ergonomic grip
- ▷ Cable outlet to left, right, and top side
- ▷ Paint thickness is 60 - 80 Micron in 1 layer (in compliance with DIN/ISO 12944, C1M)
- ▷ Closed gearbox
- ▷ In compliance with EN 13157 and DIN 15020 and EX types ATEX 114 (94/9/EG)

## AVAILABLE OPTIONS

- ▷ ATEX certified II 3 GD T3, suitable for zone 2 and 22
- ▷ Multiple compartment cable drum



Image for illustration purposes only

TYPE	MOUNTING	MATERIAL	REMARKS
TL1000 GR	WALL, 4 x M12 CLASS 8.8	PAINTED FINISH	RAL 7035 (GREY)
TL1000 EV	WALL, 4 x M12 CLASS 8.8	STAINLESS STEEL FINISH	
TL1500 GR	WALL, 4 x M12 CLASS 8.8	PAINTED FINISH	RAL 7035 (GREY)
TL1500 EV	WALL, 4 x M12 CLASS 8.8	STAINLESS STEEL FINISH	

TECHNICAL SPECIFICATIONS	TL1000	TL1500
1ST CABLE LAYER	1000 kg	1500 kg
LAST CABLE LAYER	614 kg	927 kg
CRANKFORCE 1ST CABLE POSITION	11 daN	12 daN
HOISTING LENGTH BY ONE ROTATION OF THE CRANK 1ST LAYER	20 mm	14 mm
CABLE CAPACITY	33 m	21 m
DIAMETER CABLE (EN 12383-4)	8 mm	10 mm
MIN. BREAKING LOAD CABLE	34 kN	51 kN
OWN WEIGHT	27 kg	27.5 kg

Information subject to change without notice

## RED ROOSTER LIFTING

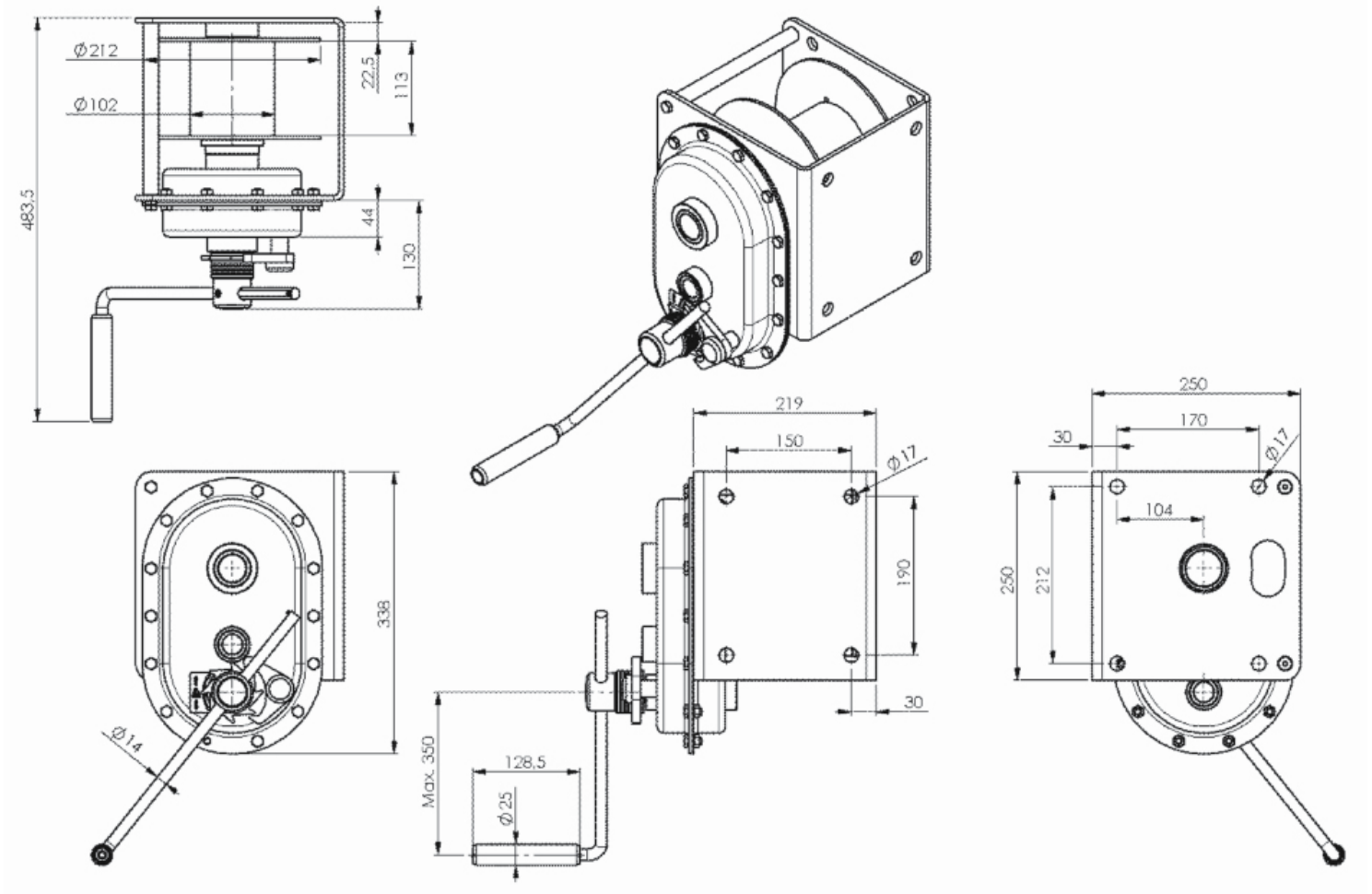
Nauta House, The Meadows  
Oldmeldrum, Aberdeenshire  
United Kingdom, AB51 0EZ

T: +44 (0) 1651 872101  
E: sales@redroosterlifting.com  
W: www.redroosterlifting.com

# TL1000-1500 SPUR GEAR WINCH



# RED ROOSTER LIFTING



All measurements are in mm

**RED ROOSTER LIFTING**

Nauta House, The Meadows  
Oldmeldrum, Aberdeenshire  
United Kingdom, AB51 0EZ

T: +44 (0) 1651 872101  
E: [sales@redroosterlifting.com](mailto:sales@redroosterlifting.com)  
W: [www.redroosterlifting.com](http://www.redroosterlifting.com)