

# TC1000-1500/FS SPUR GEAR WINCH



**RED ROOSTER**  
LIFTING

## STANDARD FEATURES

- ▷ Robust and safe hoisting or pulling winch
- ▷ Pulling capacity is approx. 2.5x hoisting capacity
- ▷ Static safety factor of 4
- ▷ Load pressure brake with double ratchet system
- ▷ Maintenance-free bearing
- ▷ Adjustable crank from 250 to 350 mm, ergonomic grip
- ▷ Cable outlet to left, right, and top side
- ▷ Paint thickness is 60 - 80 Micron in 1 layer (in compliance with DIN/ISO 12944, C1M)
- ▷ With free spool FS
- ▷ Closed gearbox
- ▷ In compliance with EN 13157 and DIN 15020 and EX types ATEX 114 (94/9/EG)

## AVAILABLE OPTIONS

- ▷ Zinc-plated finish (6 - 8 Micron)
- ▷ ATEX certified II 3 GD T3 suitable for zone 2 and 22
- ▷ Multiple compartment cable drum



Image for illustration purposes only

| TYPE           | MOUNTING                   | MATERIAL        | REMARKS         |
|----------------|----------------------------|-----------------|-----------------|
| TC1000 GR / FS | CONSOLE, 4 x M12 CLASS 8.8 | PAINTED FINISH  | RAL 7035 (GREY) |
| TC1000 SS / FS | CONSOLE, 4 x M12 CLASS 8.8 | STAINLESS STEEL |                 |
| TC1500 GR / FS | CONSOLE, 4 x M12 CLASS 8.8 | PAINTED FINISH  | RAL 7035 (GREY) |
| TC1500 SS / FS | CONSOLE, 4 x M12 CLASS 8.8 | STAINLESS STEEL |                 |

| TECHNICAL SPECIFICATIONS                               | TC1000  | TC1500  |
|--|---------|---------|
| 1ST CABLE LAYER  | 1000 kg | 1500 kg |
| LAST CABLE LAYER                                       | 1038 kg | 1667 kg |
| CRANKFORCE 1ST CABLE POSITION                          | 11 daN  | 12 daN  |
| HOISTING LENGTH BY ONE ROTATION OF THE CRANK 1ST LAYER | 20 mm   | 14 mm   |
| CABLE CAPACITY   | 33 m    | 21 m    |
| DIAMETER CABLE (EN 12383-4)                            | 8 mm    | 10 mm   |
| MIN. BREAKING LOAD CABLE                               | 34 kN   | 51 kN   |
| OWN WEIGHT   | 27 kg   | 27.5 kg |

Information subject to change without notice

## RED ROOSTER LIFTING

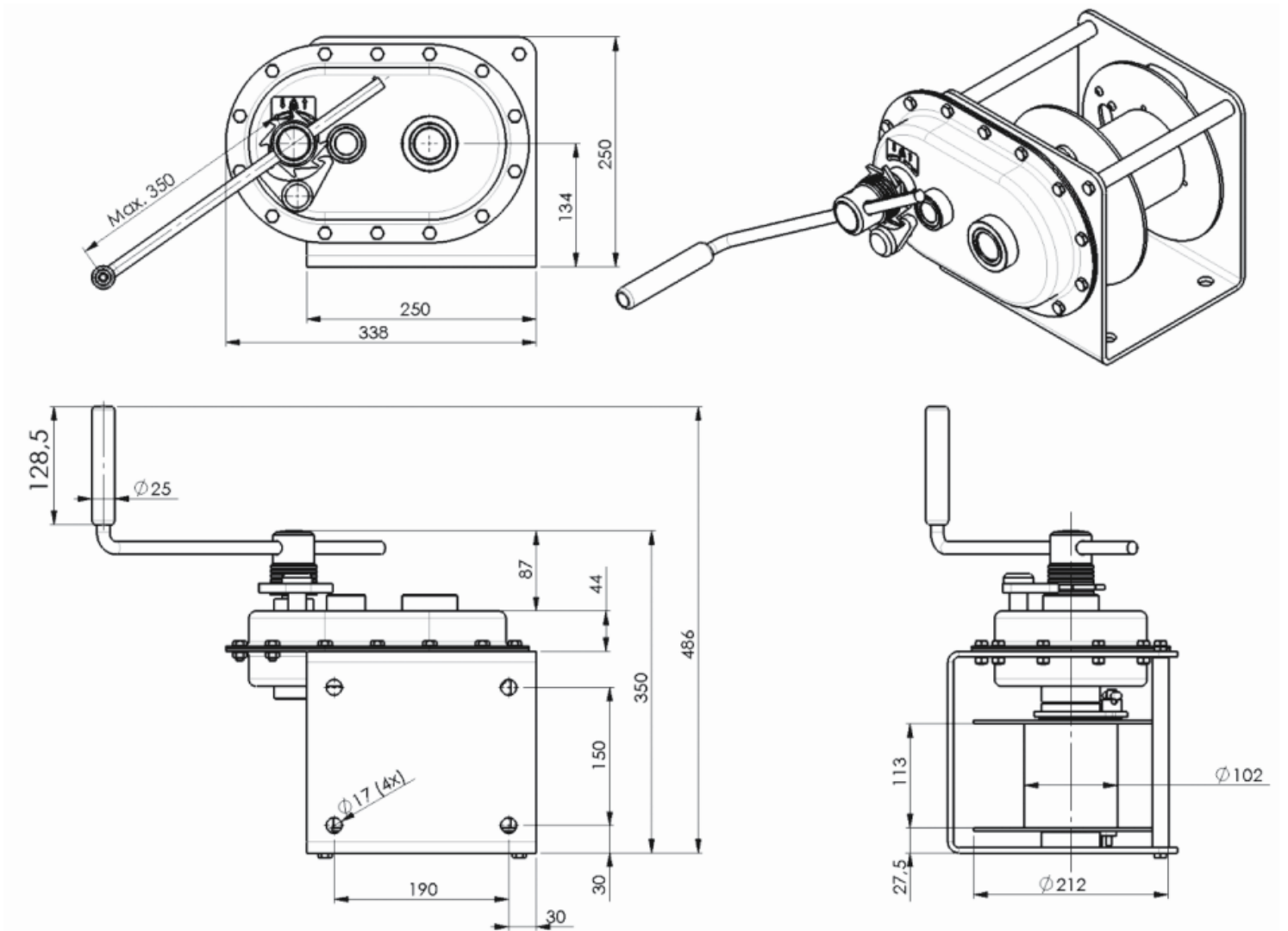
Nauta House, The Meadows  
Oldmeldrum, Aberdeenshire  
United Kingdom, AB51 0EZ

T: +44 (0) 1651 872101  
E: sales@redroosterlifting.com  
W: www.redroosterlifting.com

# TC1000-1500/FS SPUR GEAR WINCH



# RED ROOSTER LIFTING



All measurements are in mm

**RED ROOSTER LIFTING**

Nauta House, The Meadows  
Oldmeldrum, Aberdeenshire  
United Kingdom, AB51 0EZ

T: +44 (0) 1651 872101  
E: [sales@redroosterlifting.com](mailto:sales@redroosterlifting.com)  
W: [www.redroosterlifting.com](http://www.redroosterlifting.com)