

TMH-6000/2-ULHR ULTRA LOW HEADROOM

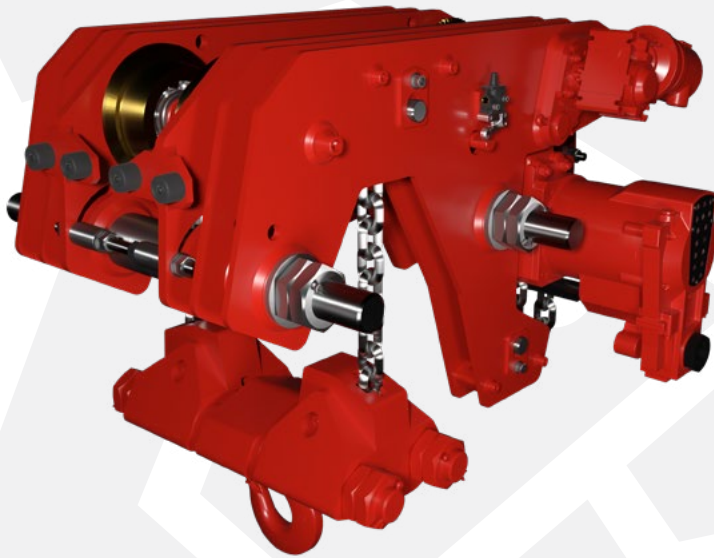
The **TMH-6000/2-ULHR** is a 6 tonne low headroom chain hoist and trolley from Red Rooster Lifting. This is part of our air hoist and trolley range for lifting equipment applications in industry.



**RED ROOSTER
LIFTING**

RAISING EXPECTATIONS

The new **Red Rooster Lifting** TMH series air hoist and trolleys have the highest lifting speed with the lowest headroom on the hoist market. With the high M4 classification of mechanism (ISO 4301-1) this high speed air hoist is extremely durable and will guarantee the continuity of your process. The TMH hoists are designed to operate at full lifting capacity with an air pressure from 4 – 6.3 bar. For full speed operation the hoist air pressure should be 6.3 bar.



STANDARD FEATURES

- Toku rotary vane motor
- ATEX zone 2 specification
- Robust 3 step planetary gearbox
- Failsafe automatic internal disc brake
- Upper & lower limit switches
- Cast steel housing
- Internal silencing down to 80 dB(A)
- Alloy safety swivel hooks with safety catch
- Load chain of European manufacture EN818-7
- Automatic load limiter

AVAILABLE OPTIONS

- Marine specification
- Collision bumpers
- ATEX zone 1 specification
- Articulated trolleys
- Rack & pinion drive
- Travel limits
- Air Service units
- Festoon systems
- Radio control remote
- Main air shut off valve
- Special paint systems
- Beam brake
- Other travel speeds



**ATEX ZONE 2
AS STANDARD**

T: +44 (0) 1651 872101
sales@redroosterlifting.com

REDROOSTERLIFTING.COM

Red Rooster Lifting Limited Nauta House, The Meadows, Oldmeldrum, Inverurie, Aberdeenshire, UK, AB51 0EZ

TMH-6000/2-ULHR ULTRA LOW HEADROOM

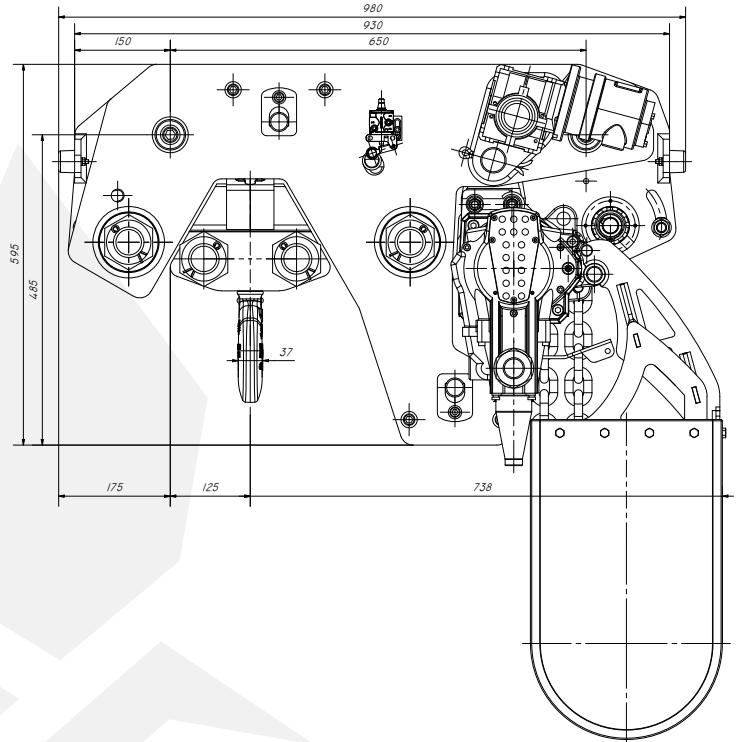


**RED ROOSTER
LIFTING**

RAISING EXPECTATIONS

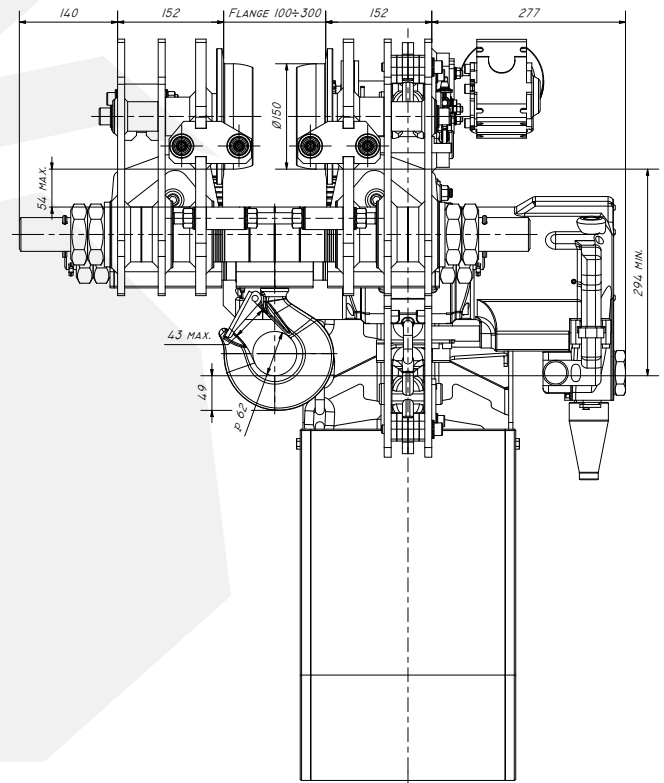
DIMENSIONS

All measurements are in mm
Information subject to change without notice



MODEL	TMH-6000/2-ULHR
WLL	6000 kg
CHAIN FALLS	2
LIFTING SPEED FULL LOAD (M/MIN)	2.7
LIFTING SPEED WITHOUT FULL LOAD (M/MIN)	5.4
LOWERING SPEED FULL LOAD (M/MIN)	5.1
TRAVEL SPEED (M/MIN)	9
HOIST AIR CONSUMPTION (L/SEC)	56
TROLLEY AIR CONSUMPTION (L/SEC)	25
INLET CONNECTION	1"
WEIGHT WITH 3M HOL	400 kg
ADDITIONAL METRE HOL	7.6 kg
FLANGE MINIMUM (MM)	100
FLANGE MAXIMUM (MM)	300
G.A. DRAWING	1568-00

AT_S = STANDARD AT_ATX = ATEX



T: +44 (0) 1651 872101
sales@redroosterlifting.com