

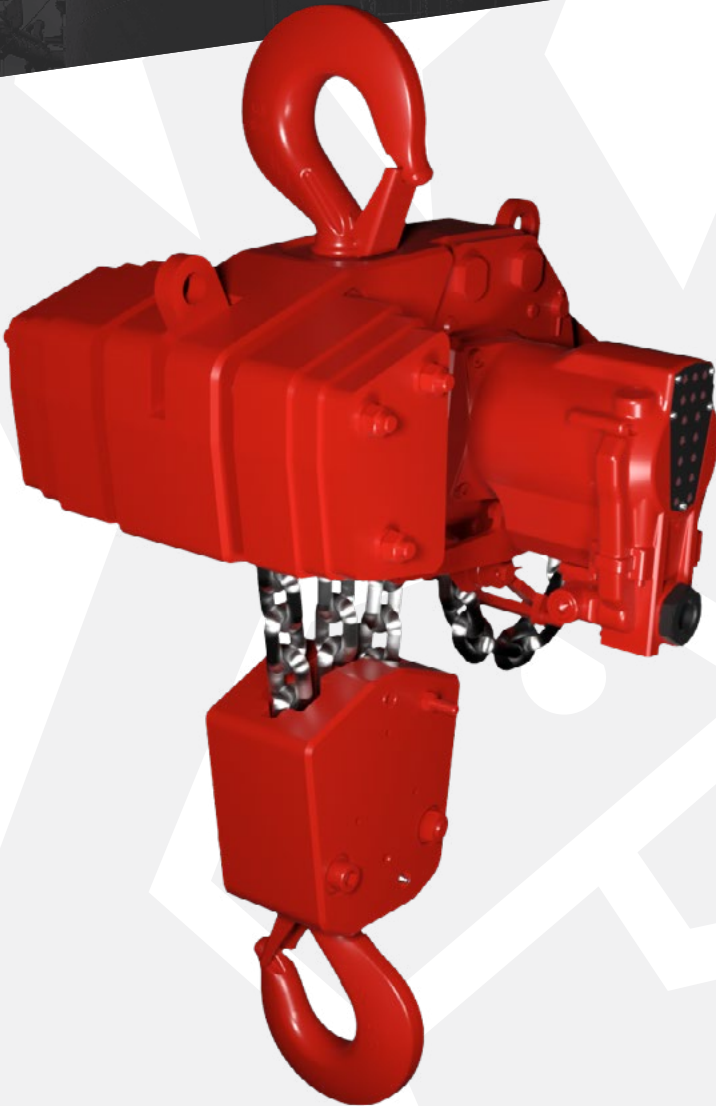
TMH-15T AIR HOIST

The **TMH-15T** is a 15 tonne chain hoist from Red Rooster Lifting. This is part of our hook suspension air hoist range for lifting equipment applications in industry.



**RED ROOSTER
LIFTING**

RAISING EXPECTATIONS



The new **Red Rooster Lifting** TMH series air hoists have the highest lifting speed with the lowest headroom on the hoist market. The TMH hoists are designed to operate at full lifting capacity with an air pressure from 4 – 6 bar. For full speed operation the hoist air pressure should be 6 bar.

STANDARD FEATURES

- Toku rotary vane motor
- ATEX zone 2 specification
- Robust 3 step planetary gearbox
- Failsafe automatic internal disc brake
- Mechanical upper & lower switches
- Cast steel housing
- Internal silencing down to 82 dB(A)
- Alloy safety swivel hooks with safety catch
- Load chain 16 x 45mm of European manufacture to EN818-7
- Automatic load limiter

AVAILABLE OPTIONS

- Marine specification
- Special paint systems
- Corrosion protection
- ATEX zone 1 specification
- Chain collectors (galvanised or stainless steel)
- Air Service units
- Festoon systems
- Radio control



**ATEX ZONE 2
AS STANDARD**

T: +44 (0) 1651 872101
sales@redroosterlifting.com

REDROOSTERLIFTING.COM

TMH-15T AIR HOIST

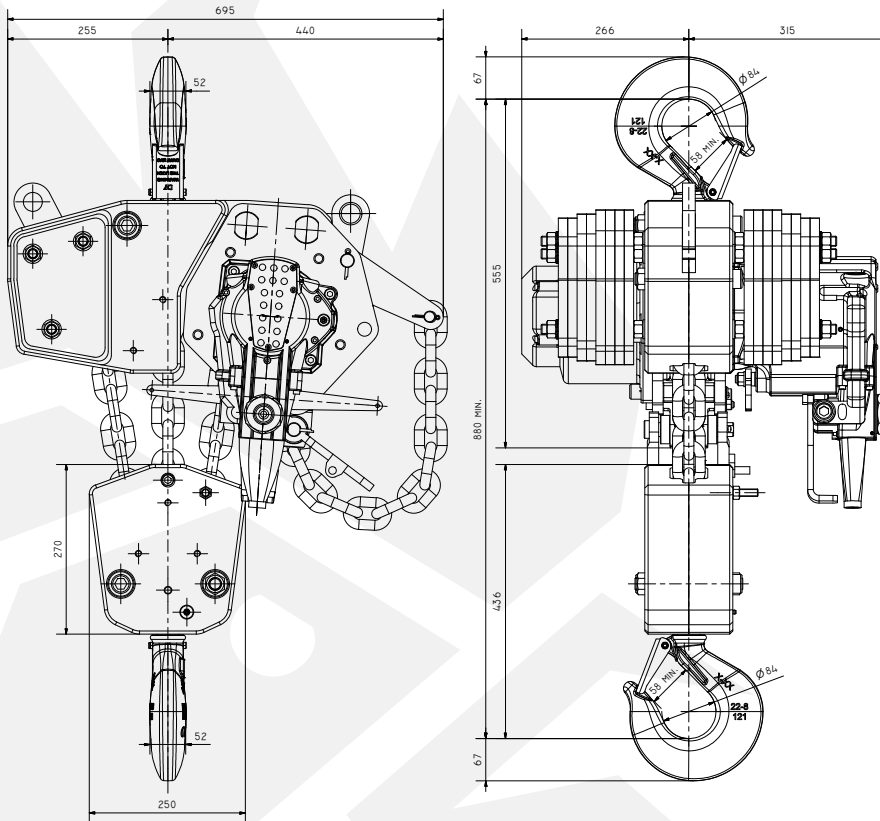


**RED ROOSTER
LIFTING**

RAISING EXPECTATIONS

DIMENSIONS

All measurements are in mm
Information subject to change without notice



HOIST MODEL	TMH-15T
WLL	15000 kg
CHAIN FALLS	3
LIFTING SPEED WITH LOAD	1.05 m/min
LIFTING SPEED WITHOUT LOAD	2.2 m/min
LOWERING SPEED WITH LOAD	2.1 m/min
AIR CONSUMPTION LIFTING	58 l/sec
AIR CONSUMPTION LOWERING	71 l/sec
WORKING PRESSURE	4 - 6 Bar
AIR CONNECTION	1" BSP
MINIMUM HOSE DIA.	1"
AIR SERVICE	1" FLR
WEIGHT 3M HOL	450 kg
ADDITIONAL METRE HOL	17.1 kg

T: +44 (0) 1651 872101
sales@redroosterlifting.com