

LOW HEADROOM HOIST & TROLLEY COMBINATION

1,000 KG - 10,000 KG LIFTING CAPACITY



**RED ROOSTER
LIFTING**

RAISING EXPECTATIONS



DESIGNED AND MANUFACTURED ACCORDING TO

- EC machinery directive 2006/42/EC
- EN13157
- Manufactured in the Netherlands

STANDARD FEATURES

- Suitable for extreme spaces and low headroom applications
- Lightweight
- Low pulling force on the hand chain
- Chain hoist executed with double safety pawl, safe and sure brakes
- Surface treatment 2 layer paint system and power coating, colour Munsell 6YR6/14
- Nickel plated load chain, grade V (G 100) in acc. with standard EN818-7
- Hand chain electric galvanized
- Trolley wheels with life time lubricated bearings
- Wheel break support and anti-tilt device integrated
- Ambient temperature -20°C to +40°C

AVAILABLE OPTIONS

- ATEX zone 1 specification
- Special surface protection acc. to ISO 12944
- 3.1 load test certificate
- Canvas chain bag, steel or stainless steel container
- Solid bronze wheels
- Parking device for parking in unloaded condition
- Stainless steel 316 load chain and hand chain
- Stainless steel nameplate with tag number
- General arrangement drawing in dwg. and 3D Step
- 3.1 material certificate for load bearing parts of the trolley

SPECIAL OPTIONS

Also available in rack and pinion driven execution for operation under inclination.

REMARK

Low headroom hoist units are executed with a fixed suspension set within the range of the beam width as mentioned in the tables.

Maximum INP profile restriction for 6kN = INP220, 11kN = INP300, 22kN = INP360, 33kN = INP400, 52/64kN = INP450

KITO VAN LEUSDEN



LOW HEADROOM HOIST & TROLLEY COMBINATION

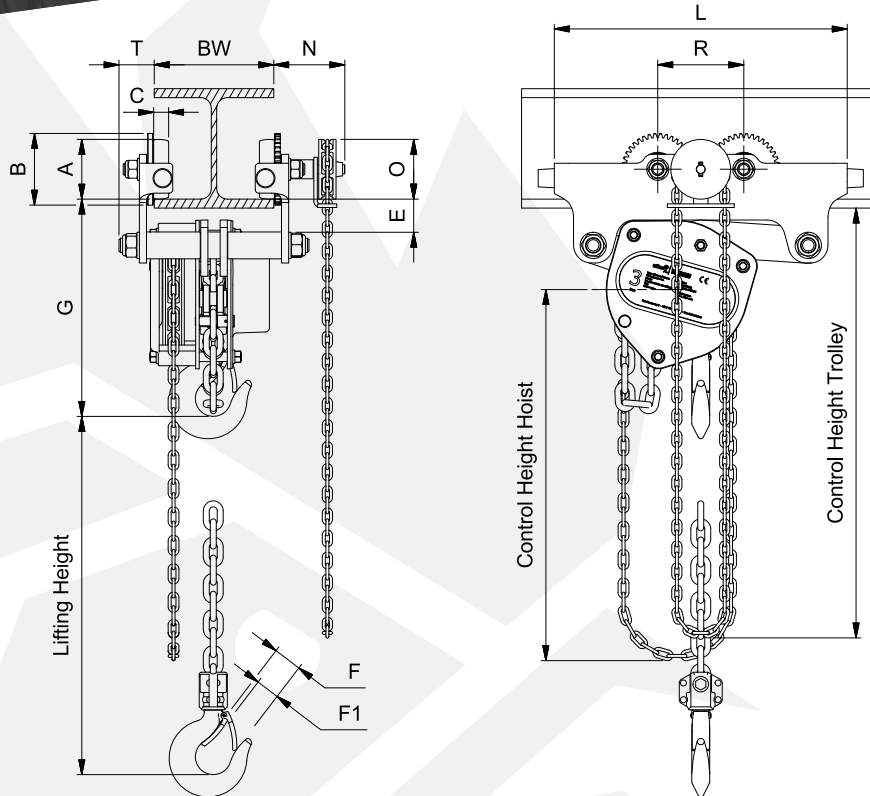
**RED ROOSTER
LIFTING**

RAISING EXPECTATIONS

1,000 KG - 10,000 KG LIFTING CAPACITY

DIMENSIONS

All measurements are in mm
Information subject to change without notice



CAPACITY	PUSH MODEL	GEARED MODEL	CHASSIS	FIXED FLANGE RANGE	CHAIN FALLS	CHAIN SIZE	MAX PULLING FORCE HOIST	MAX PULLING FORCE TROLLEY	WEIGHT	HEADROOM	DIMENSIONS										
											AØ	BØ	C	E	F	F1	R	T	L	N	OØ
KG			kN	MM		MM	KG	KG	KG	G											
500	81310-00600	81410-01000	11	55-300	1	5	24	10	21.5	260	60	75	18	20	31.1	27	99	42	310	90	100
1,000	81310-01100	81410-01100	11	55-300	1	6.3	29	10	23	270	60	75	18	20	34.6	29	99	42	310	90	100
1,500	81310-01500	81410-01500	22	74-300	1	7.1	35	16	35	280	80	100	22	27	38.8	34	123	49	395	90	100
2,000	81310-02200	81410-02200	22	74-300	1	8	36	16	40	310	80	100	22	27	40	36	123	49	395	90	100
2,500	81310-02500	81410-02500	33	90-300	1	9	33	20	60	370	100	120	25	35	42.5	40	144	59	455	95	100
3,000	81310-03300	81410-03300	33	90-300	2	7.1	36	20	55	435	100	120	25	35	46	42.5	144	59	455	95	100
5,000	81310-05200	81410-05200	52	106-300	2	9	34	20	100	530	125	150	30	40	50	46.5	174	65	590	130	135
7,500	-	81410-08400	104	115-300	3	9	35	19	220	670	160	190	35	42	79.5	72.5	220	82	800	134	270
10,000	-	81410-10400	104	115-300	4	9	36	19	220	640	160	190	35	42	79.2	72.5	220	82	800	134	270

*Larger capacities up to 25,000 kg on request

KITO VAN LEUSDEN

RED ROOSTER LIFTING LIMITED

Nauta House, The Meadows, Oldmeldrum, Inverurie, Aberdeenshire, UK, AB51 0EZ

T: +44 (0) 1651 872101 sales@redroosterlifting.com REDROOSTERLIFTING.COM