

HD3C SWINGING BEAM TROLLEY FOR HAND OPERATED CRANE

1,100 KG - 5,300 KG LIFTING CAPACITY



**RED ROOSTER
LIFTING**

RAISING EXPECTATIONS



DESIGNED AND MANUFACTURED ACCORDING TO

- EC machinery directive 2006/42/EC
- EN13157
- Manufactured in the Netherlands

STANDARD FEATURES

- Smooth running along crane gantry by flexible suspension system by ball joint
- Ball joint made from S355, suitable for welding
- Fixed suspension set for specified crane gantry beam width
- Wheel break support and antitilt device integrated
- Trolley wheels with life time lubricated bearings
- Suitable for all types of beams
- Surface treatment trolley electric galvanized chassis, wheels and wheel shafts. Suspension set in Zinc primer + top coat

AVAILABLE OPTIONS

- Mounting plate for bolt suspension to crane girder
- Rubber buffers mounted on trolley
- Stainless steel trolley wheels
- Special side plates to increase dimension "E"
- 3.1 load test certificate
- Special surface protection according ISO 12944
- Stainless steel execution
- Customized solutions
- General arrangement drawing in 2D dwg and 3D step file

REMARK

- Maximum span (S) is 8m for all capacities
- For crane with an outreach larger than (T) contact us
- Always specify your girder type
- Maximum INP profile restriction for 11kN = INP300, 22kN = INP360, 33kN = INP400, 52kN = INP450

KITO VAN LEUSDEN



HD3C SWINGING BEAM TROLLEY FOR HAND OPERATED CRANE

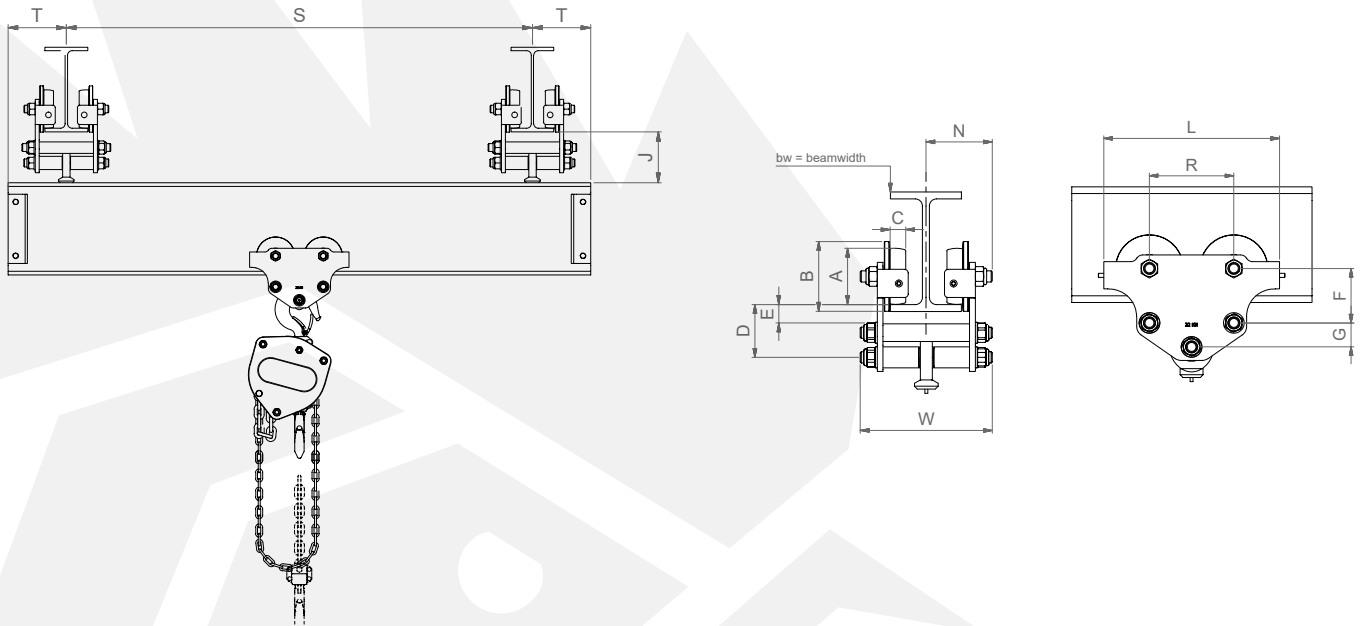
**RED ROOSTER
LIFTING**

RAISING EXPECTATIONS

1,100 KG - 5,300 KG LIFTING CAPACITY

DIMENSIONS

All measurements are in mm
Information subject to change without notice



CAPACITY	MODEL	CHASSIS	FIXED FLANGE RANGE	SUSPENSION GKDO ¹	WEIGHT	DIMENSIONS												
						KG	A	B	C	D	E	F	G	J	L	N	T	R
1,100	82000-01110	11	55-120	20	6	60	75	18	60	20	60	30	100	190	65	125	99	BW+70
	82000-01120		121-240	25									105					
	82000-01130		241-305	30									110					
2,250	82000-02210	22	74-113	25	12	80	100	22	75	27	80	35	120	255	65	150	123	BW+85
	82000-02220		114-210	30									125					
	82000-02230		211-305	35									135					
3,350	82000-03310	33	90-131	30	20	100	120	25	90	35	100	40	140	300	70	175	144	BW+105
	82000-03320		132-220	35									150					
	82000-03330		221-305	40									160					
5,300	82000-05210	52	106-131	35	32	125	150	30	117	40	120	60	180	375	100	200	174	BW+120
	82000-05220		132-210	40									185					
	82000-05230		211-310	45									195					

¹ GKDO: Spherical plain bearings and rod ends