

HD3C RACK & PINION DRIVEN TROLLEY

SPECIAL DESIGN TO HANDLE INCLINATIONS
500 KG - 12,500 KG LIFTING CAPACITY



**RED ROOSTER
LIFTING**

RAISING EXPECTATIONS

DESIGNED AND MANUFACTURED ACCORDING TO

- EC machinery directive 2006/42/EC
- EN13157
- Manufactured in the Netherlands

STANDARD FEATURES

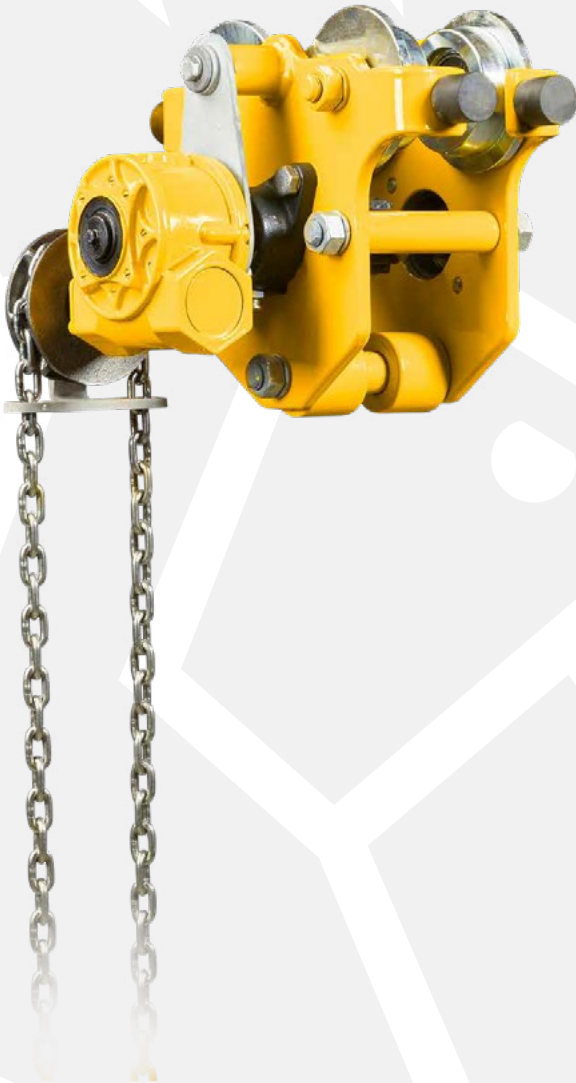
- The selfbraking gear box is suitable for 5° heel and trim other angles are on request
- Unique 3 bolts design which ensures stability and safe situation
- Wheel break support and antitilt device integrated
- Trolley wheels with life time lubricated bearings
- Suspension for all kind of hoist
- Suitable for all types of beams
- Surface treatment trolley 2 layer paint system 80µm, RAL7021
- Hand chain electric galvanized
- Operational temperature -20°C to +40°C

AVAILABLE OPTIONS

- ATEX specification
- Operational temperature -40°C to +40°C
- Special surface protection acc. to ISO 12944
- Solid stainless steel or bronze wheels
- Stainless steel nameplate with tag number
- Stainless steel 316 hand chain
- Rubber buffers mounted on trolley
- General arrangement drawing in 2D dwg and 3D step
- 3.1 load test certificate
- 3.1 material certificate for load bearing trolley parts
- Also available in electrical and pneumatic execution
- Also available in stainless steel 316 execution

REMARK

- The minimum beam radius is based on the maximum beam width which is specified in the table. For smaller curved beams always contact us or your local agent.
- Maximum INP profile restriction for 6kN = INP220, 11kN = INP300, 22kN = INP360, 33kN = INP400, 52/64kN = INP450



**ATEX
EXPLOSION
PROTECTION**

RED ROOSTER LIFTING LIMITED

Nauta House, The Meadows, Oldmeldrum, Inverurie, Aberdeenshire, UK, AB51 0EZ

KITO VAN LEUSDEN

T: +44 (0) 1651 872101 sales@redroosterlifting.com **REDROOSTERLIFTING.COM**



HD3C RACK & PINION DRIVEN TROLLEY

RED ROOSTER LIFTING

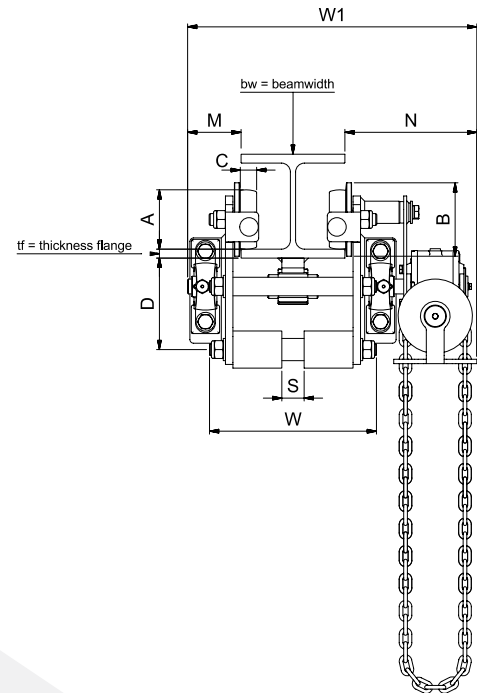
RAISING EXPECTATIONS

SPECIAL DESIGN TO HANDLE INCLINATIONS
500 KG - 12,500 KG LIFTING CAPACITY

DIMENSIONS

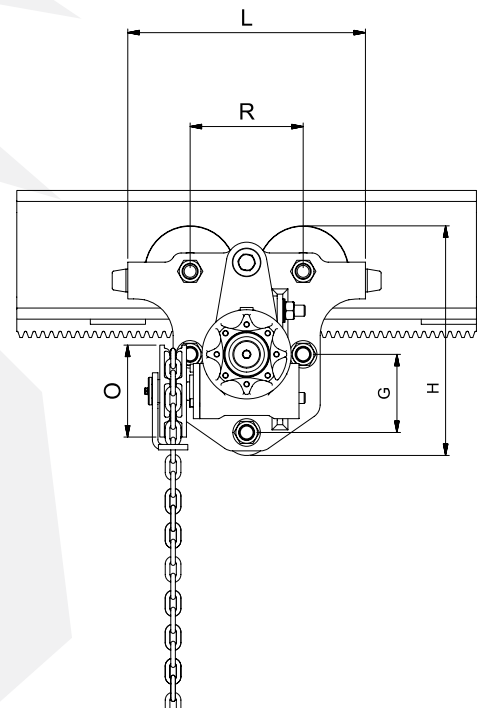
All measurements are in mm
Information subject to change without notice

CAPACITY	RT MODEL	RV MODEL	CHASSIS	FIXED FLANGE RANGE	MAX ANGLE INCLINATION	MODULE	MIN BEAM RADIUS	WEIGHT
KG			kN	MM	°		MM	KG
1,000	83600-01151	83600-01152	11	55-254	5	M=3	1000	17
2,000	83600-02251	83600-02252	22	74-305	5	M=3	1000	23
3,200	83600-03351	83600-03352	33	90-305	5	M=3	1750	38
5,000	83600-05251	83600-05252	52	106-305	5	M=4	2150	65
6,300	86300-06451	83600-06452	64	106-305	5	M=4	2150	75
8,000	-	83600-08451	84	119-305	2	M=6	2950	110
10,000	-	83600-10451	104	131-305	2	M=6	2950	110
12,500	-	83600-12451	124	131-305	2	M=6	2950	135



CAPACITY	DIMENSIONS											
	KG	A	B	C	D	H	L	M	N	O	R	W
1,000	60	75	18	109	210	195	70	175	100	99	BW+70	BW+240
2,000	80	100	22	124	250	260	75	180	100	123	BW+85	BW+250
3,200	100	120	25	137	290	305	80	200	100	144	BW+105	BW+272
5,000	125	150	30	200	370	380	90	250	135	174	BW+120	BW+340
6,300	125	150	30	200	370	380	90	250	135	174	BW+120	BW+340
8,000	160	190	35	250	475	450	105	290	195	220	BW+150	BW+
10,000	160	190	35	250	475	450	105	290	195	220	BW+150	BW+
12,500	160	190	35	250	480	450	110	300	195	220	BW+150	BW+

*S' dimension to be specified by customer
Larger capacities up to 20,000 KG on request



KITO VAN LEUSDEN