

HOIST & TROLLEY ATEX EXPLOSION PROTECTED

500 KG - 50,000 KG LIFTING CAPACITY



**RED ROOSTER
LIFTING**

RAISING EXPECTATIONS



DESIGNED AND MANUFACTURED ACCORDING TO

- EC machinery directive 2006/42/EC
- ATEX Directive 2014/34/EU
- EN13157
- Manufactured in the Netherlands

STANDARD FEATURES

- Equipment class: EX II 2G EX h IIB T3 Gb
- Equipment class: EX II 2D EX h IIIB T200°C Db
- Low pulling force on the hand chain
- Surface treatment 2 layer paint system and power coating, colour Munsell 6YR6/14
- Nickel plated load chain, grade V (G 100) in acc. with standard EN818-7
- Load and head chain electric galvanized
- Trolley wheels with life time lubricated bearings
- Wheel break support and anti-tilt device integrated
- Rubber buffers mounted on trolley

AVAILABLE OPTIONS

- Equipment class EX II 2G EX h IIC T3 Gb
- Equipment class EX II 2D EX h IIIC T135°C Db
- Temperature class T4 / T135°C will be observed separately for each project
- Special surface protection acc. to ISO 12944
- 3.1 load test certificate
- Canvas chain bag, steel or stainless steel container
- Solid bronze wheels
- Parking device for parking in unloaded condition
- Stainless steel 316 load chain and hand chain
- Stainless steel nameplate with tag number
- 3.1 material certificate for load bearing parts of the trolley

ATEX PROTECTION

- Equipment is executed with non-sparking materials for fast mechanical contact parts for hand chain movements and internal fast moving hoist parts, extended with unique and reliable bronze coated load hooks.



**ATEX
EXPLOSION
PROTECTION**

RED ROOSTER LIFTING LIMITED

Nauta House, The Meadows, Oldmeldrum, Inverurie, Aberdeenshire, UK, AB51 0EZ

KITO VAN LEUSDEN

T: +44 (0) 1651 872101 sales@redroosterlifting.com **REDROOSTERLIFTING.COM**

HOIST & TROLLEY ATEX EXPLOSION PROTECTED



RAISING EXPECTATIONS

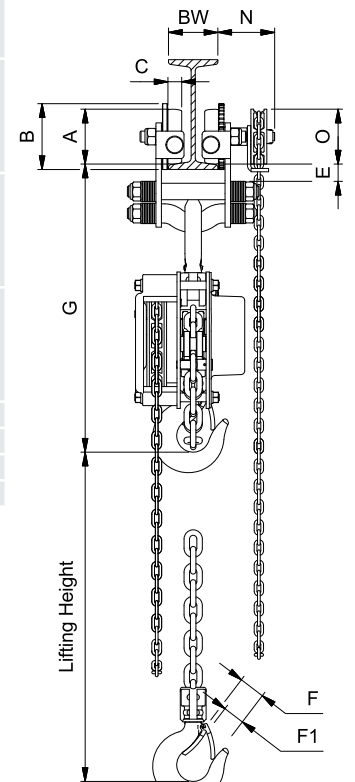
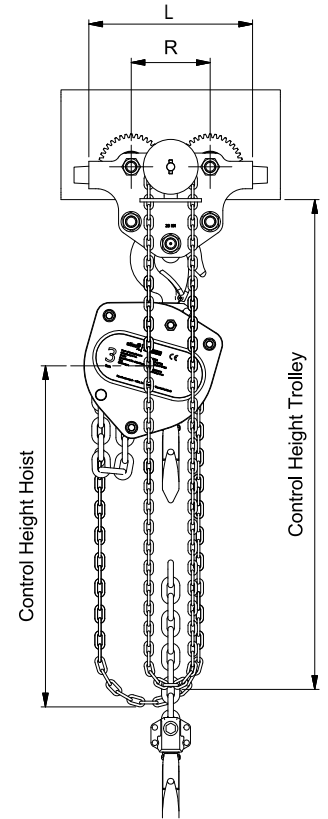
500 KG - 50,000 KG LIFTING CAPACITY

DIMENSIONS

All measurements are in mm
Information subject to change without notice

CAPACITY	PUSH MODEL	GEARED MODEL	CHASSIS	ADJUSTABLE FLANGE RANGE	MINIMUM BEAM RADIUS	CHAIN FALLS	WEIGHT 3M HOL	HEADROOM	DIMENSIONS									
									AØ	BØ	C	E	F	F1	L	N	OØ	R
500	83820-00600	83825-00100	6	55-102	700	1	13	337	45	60	15	15	31,1	27	150	-	-	75
1,000	83820-00601	83825-00101	11	105-152	1,050	1	17,5	335	60	75	18	20	34,6	29	190	90	100	99
	83820-01100	83825-01100		55-102														
	83820-01101	83825-01101		105-152														
1,500	83820-01102	83825-01102	22	156-203	1,400	1	26,5	425	80	100	22	27	38,8	34	255	90	100	123
	83820-01103	83825-01103		206-254														
	83820-01600	83825-01600		74-127														
2,000	83820-01601	83825-01601	22	127-180	1,750	1	32	450	80	100	22	27	40	36	255	90	100	123
	83820-01602	83825-01602		190-243														
	83820-01603	83825-01603		254-305														
2,500	83820-22000	83825-02200	33	74-127	1,750	1	46	510	100	120	25	35	42,5	40	300	95	100	144
	83820-22010	83825-02201		127-180														
	83820-22020	83825-02202		190-243														
3,200	83820-22030	83825-02203	33	254-305	2,200	2	43	600	100	120	25	35	46	42,5	300	95	100	144
	83820-02500	83825-02500		90-143														
	83820-02501	83825-02501		149-203														
5,000	83820-02502	83825-02502	52	203-254	2,200	2	73	717	125	150	30	40	50	46,5	375	130	135	174
	83820-02503	83825-02503		251-305														
	83820-03300	83825-03300		90-143														
7,500	83820-03301	83825-03301	104	149-203	2,950	3	150	915	160	190	35	45	79,5	72,5	450	130	270	220
	83820-03302	83825-03302		203-254														
	83820-03303	83825-03303		251-305														
10,000	83820-05200	83825-05200	104	106-156	2,950	4	174	905	160	190	35	45	79,2	72,5	450	130	270	220
15,000	83820-05201	83825-05201	164	160-210														
20,000	83820-05202	83825-05202	164	210-260														
20,000	83820-05203	83825-05203	204	255-305	8	377	1,345	200	240	50	42	95,7	81	560	170	300	272	

* Weight push trolley ** Weight geared trolley / Each control meter hand chain = 1 KG



KITO VAN LEUSDEN

T: +44 (0) 1651 872101
sales@redroosterlifting.com

REDROOSTERLIFTING.COM

Red Rooster Lifting Limited Nauta House, The Meadows, Oldmeldrum, Inverurie, Aberdeenshire, UK, AB51 0EZ