

LOW HEADROOM ATEX HOIST & TROLLEY

1,000 KG - 10,000 KG LIFTING CAPACITY



**RED ROOSTER
LIFTING**

RAISING EXPECTATIONS

DESIGNED AND MANUFACTURED ACCORDING TO

- EC machinery directive 2006/42/EC
- ATEX Directive 2014/34/EU
- EN13157
- Manufactured in the Netherlands

STANDARD FEATURES

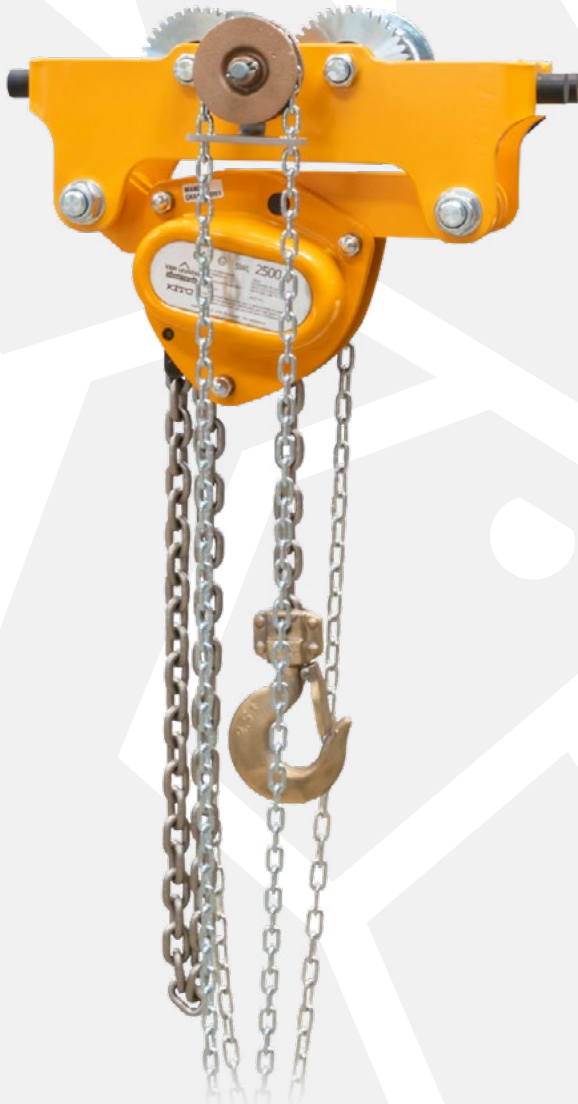
- Suitable for extreme spaces and low headroom applications
- Equipment class: EX II 2G EX h IIB T3 Gb
- Equipment class: EX II 2D EX h IIIB T200°C Db
- Light weight
- Low pulling force on the hand chain
- Overload protection by slipping clutch
- Chain hoist executed with double safety pawl, safe and sure brakes
- Surface treatment 2 layer paint system and power coating, colour Munsell 6YR6/14
- Nickel plated load chain, grade V (G 100) in acc. with standard EN818-7
- Hand chain electric galvanized
- Trolley wheels with life time lubricated bearings
- Wheel break support and anti-tilt device integrated
- Rubber buffers mounted on trolley
- Ambient temperature -20°C / +40°C

AVAILABLE OPTIONS

- Special surface protection acc. to ISO 12944
- 3.1 load test certificate
- Equipment class EX II 2G EX h IIC T3 Gb
- Equipment class EX II 2D EX h IIIC T135°C Db
- Temperature class T4 / T135°C will be observed separately for each project
- Suitable for ambient temperature -40°C / +40°C
- Canvas chain bag, steel or stainless steel chain container
- Steel or stainless steel chain container
- Solid bronze wheels
- Parking device for parking in unloaded condition
- Stainless steel 316 load chain and hand chain
- Stainless steel nameplate with tag number
- General arrangement drawing in dwg. and 3D Step
- 3.1 material certificate for load bearing parts of the trolley
- Also available in rack and pinion driven execution for operation under inclination

ATEX PROTECTION

- Equipment is executed with non-sparking materials for fast mechanical contact parts for hand chain movements and internal fast moving hoist parts, extended with unique and reliable bronze coated load hooks.



**ATEX
EXPLOSION
PROTECTION**

RED ROOSTER LIFTING LIMITED

Nauta House, The Meadows, Oldmeldrum, Inverurie, Aberdeenshire, UK, AB51 0EZ

KITO VAN LEUSDEN

T: +44 (0) 1651 872101 sales@redroosterlifting.com **REDROOSTERLIFTING.COM**



LOW HEADROOM ATEX HOIST & TROLLEY

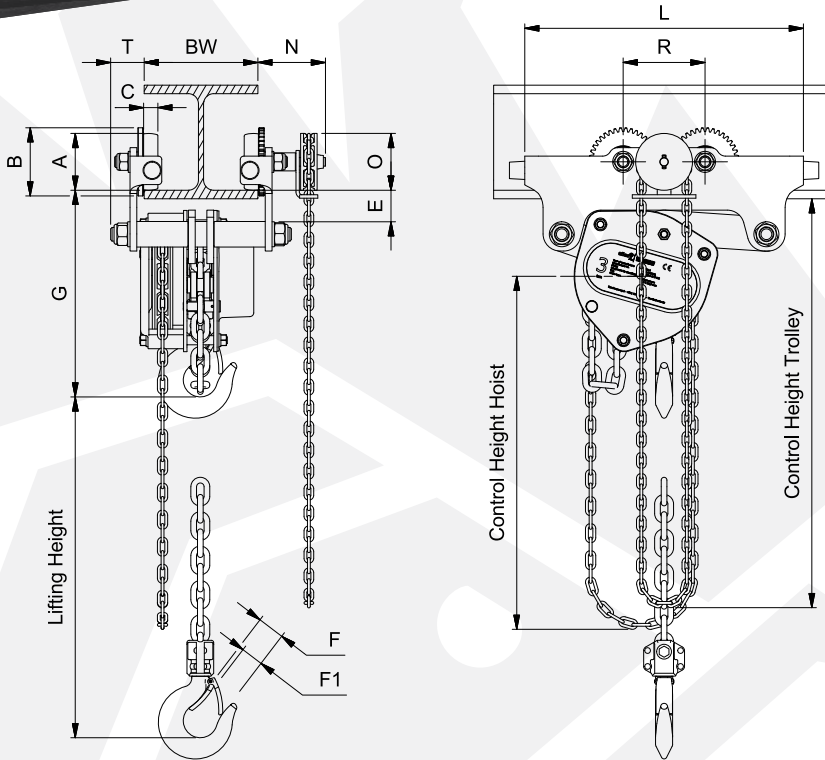
**RED ROOSTER
LIFTING**

1,000 KG - 10,000 KG LIFTING CAPACITY

RAISING EXPECTATIONS

DIMENSIONS

All measurements are in mm
Information subject to change without notice



REMARK

- Low headroom hoist units are executed with a fixed suspension set within the range of the beam width as mentioned in the tables.
- Maximum INP profile restriction for 6kN = INP220, 11kN = INP300, 22kN = INP360, 33kN = INP400, 52/64kN = INP450

CAPACITY	PUSH MODEL	GEARED MODEL	CHASSIS	FIXED FLANGE RANGE	CHAIN FALLS	CHAIN SIZE	MAX PULLING FORCE HOIST	MAX PULLING FORCE TROLLEY	WEIGHT 3M HOL	HEADROOM	DIMENSIONS										
											A0	B0	C	E	F	F1	L	N	O0	R	T
KG			kN	MM		MM	KG	KG	KG	G	A0	B0	C	E	F	F1	L	N	O0	R	T
500	83840-00600	83845-01000	11	55-300	1	5	24	10	21,5	260	60	75	18	20	31,1	27	310	90	100	99	42
1,000	83840-01100	83845-011000	11	55-300	1	6,3	29	10	23	270	60	75	18	20	34,6	29	310	90	100	99	42
1,500	83840-01500	83845-01500	22	74-300	1	7,1	35	16	35	280	80	100	22	27	38,8	34	395	90	100	123	49
2,000	83840-02200	83845-02200	22	74-300	1	8	36	16	40	310	80	100	22	27	40	36	395	90	100	123	49
2,500	83840-02500	83845-02500	33	90-300	1	9	33	20	60	370	100	120	25	35	42,5	40	455	95	100	144	59
3,000	83840-03300	83845-03300	33	90-300	2	7,1	36	20	55	435	100	120	25	35	46	42,5	455	95	100	144	59
5,000	83840-05000	83845-05000	52	106-300	2	9	34	20	100	530	125	150	30	40	50	46,5	590	130	135	174	65
7,500	-	83845-08400	104	115-300	3	9	35	19	220	670	160	190	35	42	79,5	72,5	800	134	270	220	82
10,000	-	83845-10400	104	115-300	4	9	36	19	220	640	160	190	35	42	79,2	72,5	800	134	270	220	82

*Larger capacities on request

KITO VAN LEUSDEN

RED ROOSTER LIFTING LIMITED

Nauta House, The Meadows, Oldmeldrum, Inverurie, Aberdeenshire, UK, AB51 0EZ

T: +44 (0) 1651 872101 sales@redroosterlifting.com REDROOSTERLIFTING.COM