

# ULTRA LOW HEADROOM ATEX HOIST & TROLLEY

1,000 KG - 10,000 KG LIFTING CAPACITY



**RED ROOSTER  
LIFTING**

RAISING EXPECTATIONS



## DESIGNED AND MANUFACTURED ACCORDING TO

- EC machinery directive 2006/42/EC
- ATEX Directive 2014/34/EU
- EN13157
- Manufactured in the Netherlands

## STANDARD FEATURES

- Suitable for extremely narrow spaces and low headroom applications
- Equipment class: EX II 2G EX h IIB T3 Gb
- Equipment class: EX II 2D EX h IIIB T200°C Db
- Light weight
- Low pulling force on the hand chain
- Chain hoist executed with double safety pawl, safe and sure brakes
- Chain hoist with overload protection by slipping clutch
- Surface treatment 2 layer paint system and power coating, colour Munsell 6YR6/14
- Nickel plated load chain, grade V (G 100) in acc. with standard EN818-7
- Hand chain electric galvanized
- Trolley wheels with life time lubricated bearings
- Wheel break support and anti-tilt device integrated
- Rubber buffers mounted on trolley
- Ambient temperature -20°C / +40°C

## AVAILABLE OPTIONS

- Equipment class EX II 2G EX h IIC T3 Gb
- Equipment class EX II 2D EX h IIIC T135°C Db
- Temperature class T4 / T135°C will be observed separately for each project
- Suitable for ambient temperature -40°C / +40°C
- Special surface protection acc. to ISO 12944
- 3.1 load test certificate
- Canvas chain bag
- Steel or stainless steel chain container
- Solid bronze wheels
- Parking device for parking in unloaded condition
- Stainless steel 316 load chain and hand chain
- Stainless steel nameplate with tag number
- General arrangement drawing in dwg. and 3D Step
- 3.1 material certificate for load bearing parts of the trolley
- Also available in rack and pinion driven execution for operation under inclination

## ATEX PROTECTION

- Equipment is executed with non-sparking materials for fast mechanical contact parts for hand chain movements and internal fast moving hoist parts, extended with unique and reliable bronze coated load hooks.



**ATEX  
EXPLOSION  
PROTECTION**

**RED ROOSTER LIFTING LIMITED**

Nauta House, The Meadows, Oldmeldrum, Inverurie, Aberdeenshire, UK, AB51 0EZ

**KITO VAN LEUSDEN**

T: +44 (0) 1651 872101 sales@redroosterlifting.com **REDROOSTERLIFTING.COM**



# ULTRA LOW HEADROOM ATEX HOIST & TROLLEY

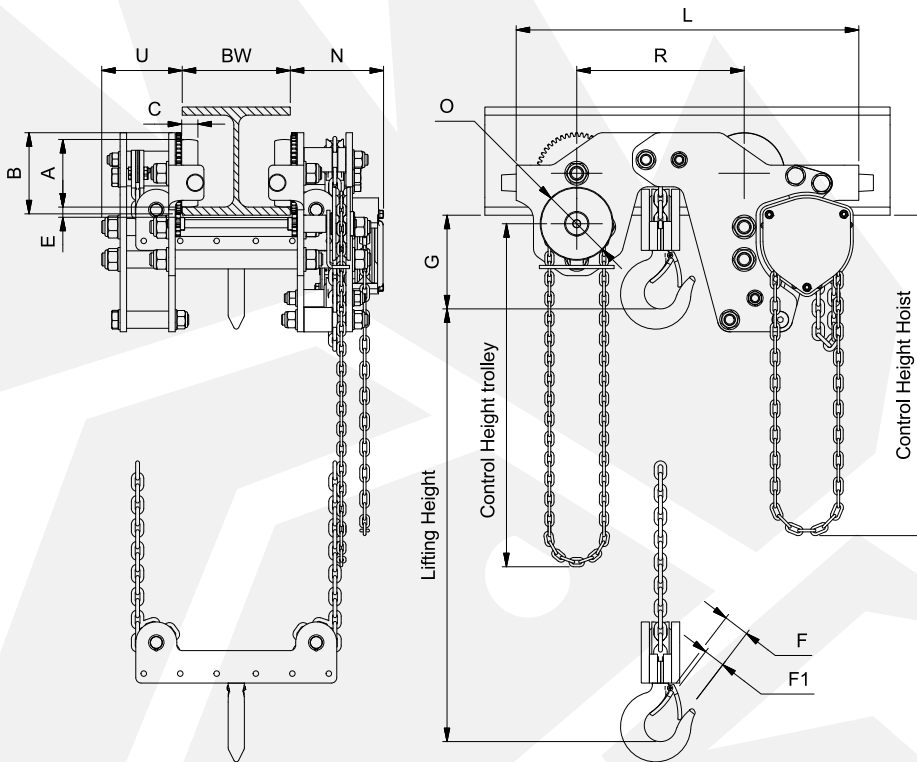
**RED ROOSTER  
LIFTING**

RAISING EXPECTATIONS

1,000 KG - 10,000 KG LIFTING CAPACITY

## DIMENSIONS

All measurements are in mm  
Information subject to change without notice



## REMARK

- Ultra-low headroom hoist units are executed with a fixed suspension set within the range of the beam width as mentioned in the tables.

CAPACITY	MODEL	CHASSIS	FIXED FLANGE RANGE	CHAIN FALLS	CHAIN SIZE	MAX PULLING FORCE HOIST	MAX PULLING FORCE TROLLEY	WEIGHT 3M HOL	HEADROOM	DIMENSIONS										
										AØ	BØ	C	E	F	F1	L	N	OØ	R	U
KG		kN	MM		MM	KG	KG	KG	G											
1,000	83870-01100	22	74-300	2	5	21	13	45	130	80	100	22	21	34,6	29	466	104	100	226	152
2,000	83870-02200	33	90-300	2	6,3	24	18	86	162	100	120	25	22	40	36	551	106	135	226	150
3,000	83870-03300	52	106-300	2	7,1	29,5	18	140	183	125	150	30	19	46	42,5	635	149	135	310	174
5,000	83870-06400	84	119-300	2	9	38	20	315	267	160	190	35	36	40	38	894	196	300	430	208
10,000	83870-10400	124	134-300	4	9	38	30	410	270	160	190	35	35	50	47	1100	196	375	630	208

\*Larger capacities up to 25,000kg on request

**KITO VAN LEUSDEN**

RED ROOSTER LIFTING LIMITED

Nauta House, The Meadows, Oldmeldrum, Inverurie, Aberdeenshire, UK, AB51 0EZ

T: +44 (0) 1651 872101 sales@redroosterlifting.com REDROOSTERLIFTING.COM