

HD3C PUSH & GEARED TROLLEY

ATEX HIGH

500 KG - 30,000 KG LIFTING CAPACITY



RED ROOSTER
LIFTING

RAISING EXPECTATIONS



DESIGNED AND MANUFACTURED ACCORDING TO

- EC machinery directive 2006/42/EC
- ATEX Directive 2014/34/EU
- EN13157
- Manufactured in the Netherlands

STANDARD FEATURES

- Equipment class EX II 2G EX h IIC T4 Gb
- Equipment class EX II 2D EX h IIIC T135°C Db
- Unique 3 bolt design which ensures stability and safe situation
- Adjustable suspension bolts (see table)
- Wheel break support and anti-tilt device integrated
- Trolley wheels with life time lubricated bearings
- Suitable for all types of beams
- Surface treatment trolley electric galvanized up to 64kN chassis type
- Surface treatment trolley 2 layer paint system, RAL7021, chassis type 84kN and higher
- Hand chain stainless steel
- Rubber buffers mounted on the trolley
- Solid bronze wheels

AVAILABLE OPTIONS

- Special surface protection according to ISO 12944
- Extended chain wheel drive (max. 300mm), dimension "M"
- Parking device for parking in unloaded condition
- Special side plates to increase dimension "E"
- Stainless steel nameplate with tag number
- 3.1 load test certificate
- 3.1 material certificate for load bearing trolley parts

REMARK

- The minimum beam radius is based on the maximum beam width which is specified in the table. For smaller curved beams always contact us or your local agent for clarification.
- Maximum INP profile restriction for 6kN = INP220, 11kN = INP300, 22kN = INP360, 33kN = INP400, 52/64kN = INP450
- Equipment is executed with non-sparking materials for fast mechanical contact

ATEX PROTECTION

- Equipment is executed with non-sparking materials for fast mechanical contact parts for hand chain movements and internal fast moving hoist parts, extended with unique and reliable bronze coated load hooks.



ATEX
EXPLOSION
PROTECTION

RED ROOSTER LIFTING LIMITED

Nauta House, The Meadows, Oldmeldrum, Inverurie, Aberdeenshire, UK, AB51 0EZ

KITO VAN LEUSDEN

T: +44 (0) 1651 872101 sales@redroosterlifting.com **REDROOSTERLIFTING.COM**



HD3C PUSH & GEARED TROLLEY ATEX HIGH

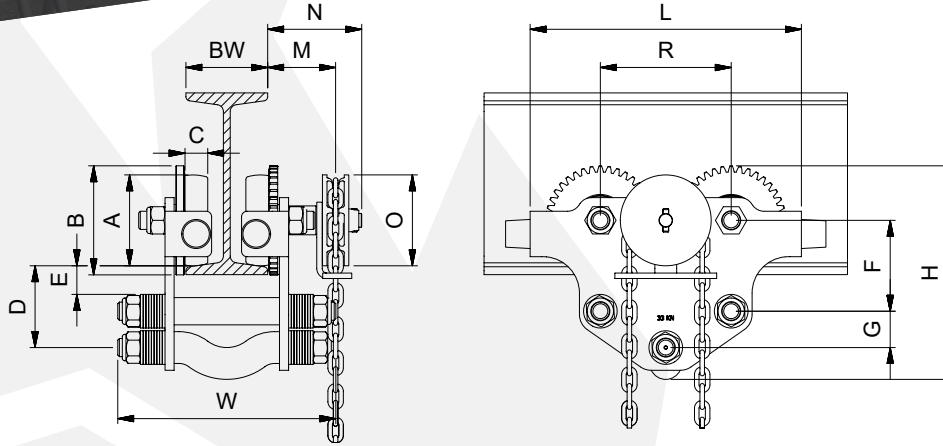
**RED ROOSTER
LIFTING**

RAISING EXPECTATIONS

500 KG - 30,000 KG LIFTING CAPACITY

DIMENSIONS

All measurements are in mm
Information subject to change without notice



CAPACITY	PUSH MODEL	GEARED MODEL	CHASSIS	ADJUSTABLE FLANGE RANGE	MINIMUM BEAM RADIUS	CHAIN PULL MAX	WEIGHT ^{*/**}	DIMENSIONS													
								A	B	C	E	F	G	H	L	M	N	O	R	W	
500	83900-00600 83900-00601	- -	6	55-102 105-152	700	-	3	45	60	15	15	45	30	125	150	-	-	-	75	160 210	
1,000	83900-01100	83910-01100	11	55-102	1,050	10	5-6	60	75	18	20	60	30	160	190	65	90	100	99	175	
	83900-01101	83910-01101		105-152																225	
	83900-01102	83910-01102		156-203																275	
	83900-01103	83910-01103		207-254																325	
2,000	83900-02200	83910-02200	22	74-127	1,400	16	11-12	80	100	22	27	80	35	205	255	65	90	100	123	215	
	83900-02201	83910-02201		127-180																270	
	83900-02202	83910-02202		190-243																330	
	83900-02203	83910-02203		254-305																390	
3,200	83900-03300	83910-03300	33	90-143	1,750	20	18-19	100	120	25	35	100	40	245	300	70	95	100	144	250	
	83900-03301	83910-03301		149-203																310	
	83900-03302	83910-03302		203-254																360	
	83900-03303	83910-03303		251-305																410	
5,000	83900-05200	83910-05200	52	106-156	2,200	20	31-32	125	150	30	40	120	60	305	375	100	130	135	174	270	
	83900-05201	83910-05201		160-210																325	
	83900-05202	83910-05202		210-260																375	
	83900-05203	83910-05203		255-305																420	
6,300	83900-06400	83910-06400	64	106-156	2,200	25	33-34	125	150	30	40	120	60	310	375	100	130	135	174	270	
	83900-06401	83910-06401		160-210																325	
	83900-06402	83910-06402		210-260																375	
	83900-06403	83910-06403		255-305																420	
8,000	83900-08401	83910-08401	84	>=119	2,950	16	85-90	160	190	35	45	145	80	365	450	105	130	270	220	BW+150	
10,000	83900-10401	83910-10401	104	>=131		19	90-95	160	190	35	45	145	80	370	450	105	130	270	220	BW+150	
12,500	83900-12401	83910-12401	124	>=143		23	95-100	160	190	35	45	145	80	370	450	105	130	270	220	BW+150	
16,000	83900-16401	83910-16401	164	>=155		25	134-145	200	240	50	42	165	100	445	550	135	170	300	272	BW+185	
20,000	83900-20401	83910-20401	204	>=170		25	140-150	200	240	50	42	165	100	450	550	135	170	300	272	BW+185	
25,000	83900-25401	83910-25401	254	>=185		25	150-160	200	240	50	42	165	100	455	550	135	170	380	272	BW+195	
30,000	83900-32801	83910-32801	328	>=200		4,000	25	310	250	288	55	62,5	215	175	655	670	144	181	380	320	BW+286

* Weight push trolley ** Weight geared trolley / Each control meter hand chain = 1 KG

KITO VAN LEUSDEN

RED ROOSTER LIFTING LIMITED

Nauta House, The Meadows, Oldmeldrum, Inverurie, Aberdeenshire, UK, AB51 0EZ

T: +44 (0) 1651 872101 sales@redroosterlifting.com REDROOSTERLIFTING.COM