



**RED ROOSTER  
LIFTING**

RAISING EXPECTATIONS

# TCS-500-LF LUBRICATION FREE AIR HOIST

The **TCS-500-LF** is a 500 kg lubrication free high speed chain hoist from Red Rooster Lifting. This is part of our air hoist hook suspension range for lifting equipment applications in industry.

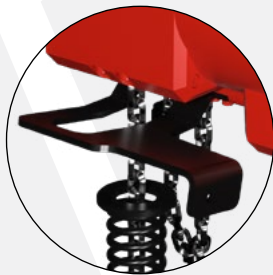
The oil free operation allows the hoist to run whilst preventing any oil being exhausted into the atmosphere, making the units ideal for use where a clean environment is a requirement. These new air hoists are suitable for food, chemical, pharmaceutical and painting industries where there are dusty atmospheres and production lines in operation.

## STANDARD FEATURES

- Precise variable speed control
- Optimum control of the load
- Robust and reliable
- Mechanical end stop
- 100% oil free
- Low noise level 83 dBA
- Working air pressure 6 bar
- Robust slackened anchor
- High quality RUD hoist chain
- Supplied with a filter / regulator

## OPTIONAL FEATURES

- Paint systems for C2 Industrial to C5 Offshore
- Zone 1 & 2 ATEX certification
- Pendant / cord control systems
- Chain collectors
- Hook or clevis options
- Air supply systems and valves
- Piped away exhaust air



### MECHANICAL LIMIT SWITCH

Mechanical shut off to prevent over hoisting or lowering



### EXHAUST INSTALLATION

New exhaust cover design for easy maintenance and 0.5" PT threaded port for piped away exhaust

# TCS-500-LF

## LUBRICATION FREE AIR HOIST

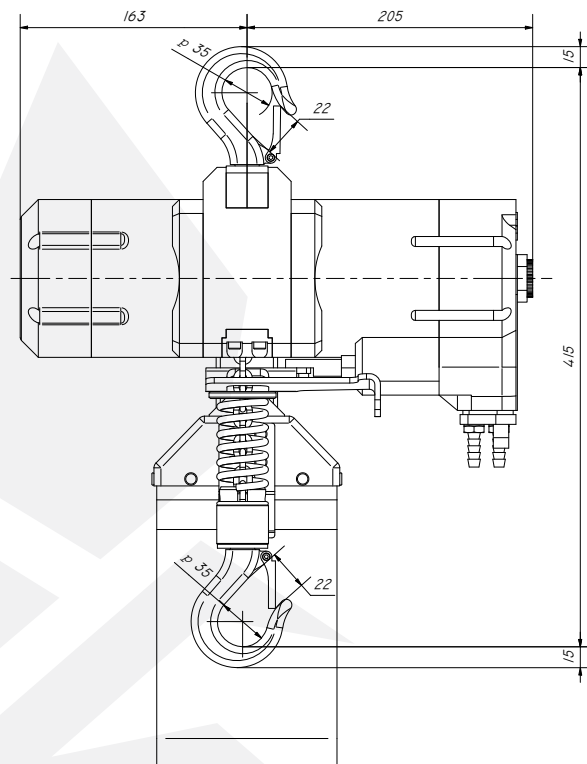
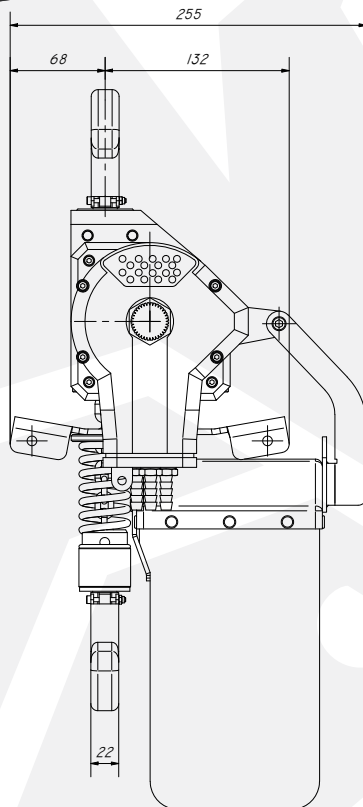


**RED ROOSTER**  
**LIFTING**

RAISING EXPECTATIONS

### DIMENSIONS

All measurements are in mm  
Information subject to change without notice



HOIST MODEL	TCS-500-LF
WLL	500 kg
CHAIN FALLS	1
LIFTING SPEED WITH LOAD	13.0 m/min
LIFTING SPEED WITHOUT LOAD	24.0 m/min
LOWERING SPEED WITH LOAD	24.0 m/min
AIR CONSUMPTION LIFTING	26 l/sec
AIR CONSUMPTION LOWERING	30 l/sec
WORKING PRESSURE	6 Bar
AIR CONNECTION	1/2" BSP
MINIMUM HOSE DIA.	1/2"
WEIGHT 3M HOL	19.0 kg
ADDITIONAL METRE HOL	0.8 kg

C = CORD CONTROL PE = PENDANT CONTROL

### ADDITIONAL INFORMATION

- The air motor should be inspected after 13,000 cycles.  
1 cycle = 1 metre up and down