



**RED ROOSTER
LIFTING**

RAISING EXPECTATIONS

TMH-6000/2-LF LUBRICATION FREE AIR HOIST

The **TMH-6000/2-LF** is a 6 tonne lubrication free chain hoist from Red Rooster Lifting. This is part of our hook suspension air hoist range for lifting equipment applications in industry.

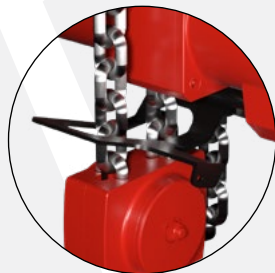
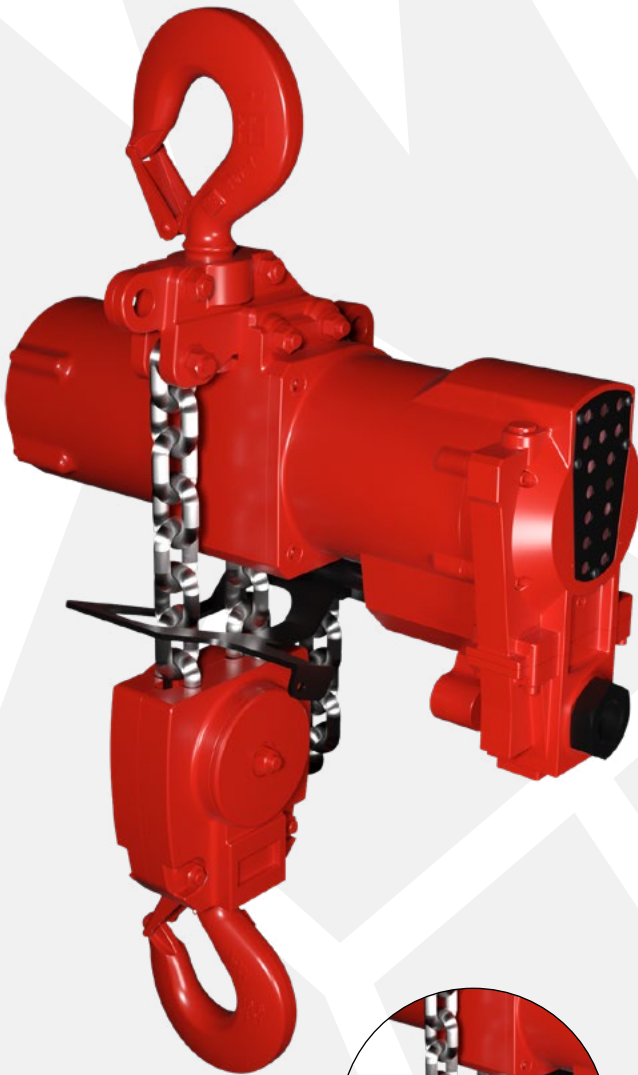
The oil free operation allows the hoist to run whilst preventing any oil being exhausted into the atmosphere, making the units ideal for use where a clean environment is a requirement. These new air hoists are suitable for food, chemical, pharmaceutical and painting industries where there are dusty atmospheres and production lines in operation.

STANDARD FEATURES

- Failsafe internal disc brake
- High M4 classification
- Precise variable speed control
- Optimum control of the load
- Robust and reliable
- Mechanical upper and lower limits
- 100% oil free
- Low noise level 80 dBA
- Working air pressure 4-6 bar
- Robust slackened anchor
- High quality RUD hoist chain
- Supplied with a filter / regulator

OPTIONAL FEATURES

- Paint systems for C2 Industrial to C5 Offshore
- Zone 1 & 2 ATEX certification
- Pendant / cord control systems
- Chain collectors
- Hook or clevis options
- Air supply systems and valves
- Piped away exhaust air



MECHANICAL LIMIT SWITCH

Mechanical shut off to prevent over hoisting or lowering



EXHAUST INSTALLATION

New exhaust cover design for easy maintenance and 1" PT threaded port for piped away exhaust



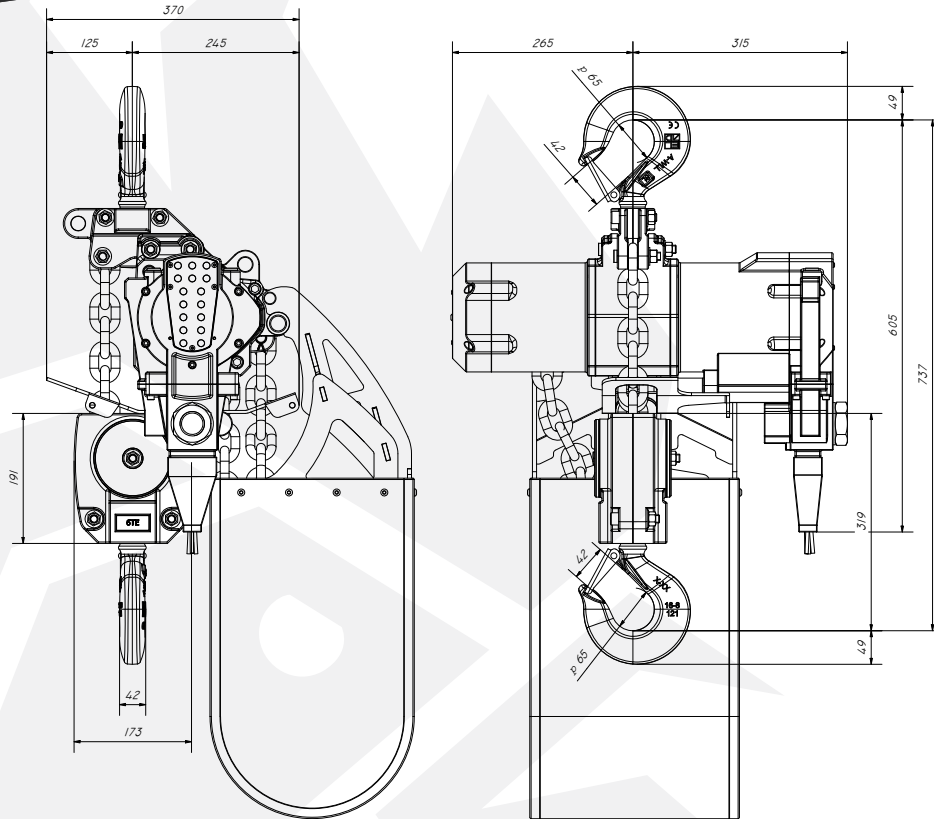
TMH-6000/2-LF LUBRICATION FREE AIR HOIST

**RED ROOSTER
LIFTING**

RAISING EXPECTATIONS

DIMENSIONS

All measurements are in mm
Information subject to change without notice



HOIST MODEL	TMH-6000/2-LF
WLL	6000 kg
CHAIN FALLS	2
LIFTING SPEED WITH LOAD	1.6 m/min
LIFTING SPEED WITHOUT LOAD	3.2 m/min
LOWERING SPEED WITH LOAD	2.8 m/min
AIR CONSUMPTION LIFTING	51 l/sec
AIR CONSUMPTION LOWERING	61 l/sec
WORKING PRESSURE	4 - 6 Bar
AIR CONNECTION	1" BSP
MINIMUM HOSE DIA.	3/4"
WEIGHT 3M HOL	124 kg
ADDITIONAL METRE HOL	7.6 kg

ADDITIONAL INFORMATION

- For specific maintenance instructions please check the manual or contact Red Rooster Lifting
- Lubrication free also available on low headroom hoists, cranes and other special designs

C = CORD CONTROL PE = PENDANT CONTROL