

# CB015 | 1.5 TONNE MANUAL CHAIN HOIST



**RED ROOSTER  
LIFTING**

RAISING EXPECTATIONS

The **CB015** is a 1.5 tonne manual chain hoist that is compact and light, yet extremely durable, with industry-leading quality. This model is just part of Red Rooster Lifting's full range of KITO equipment available.



The CB series of manual chain hoists are built with premium-grade components for long life in the toughest industrial and contracting applications. The capacities range from 500 kg to 50 tonne dependant on your lifting needs.

They have a shock-resistant gear casing, double ratchet spring, precision gears and double casing to protect against dust and water, with a secure and reliable mechanical brake, load chain guide and a nickel-plated load chain with long service life. The load chain has a break strength of 1,000 N/mm<sup>2</sup> and corresponds to class V according to DIN EN 818-7.

## STANDARD FEATURES

- Screw-and-disc type load brake
- Double pawl spring
- Nickel-plated load chain grade V (G100)
- Made in Japan

## AVAILABLE OPTIONS

- Geared trolley
- Plain trolley
- Overload limiter
- Canvas chain bucket
- ATEX

T: +44 (0) 1651 872101  
sales@redroosterlifting.com

**KITO**



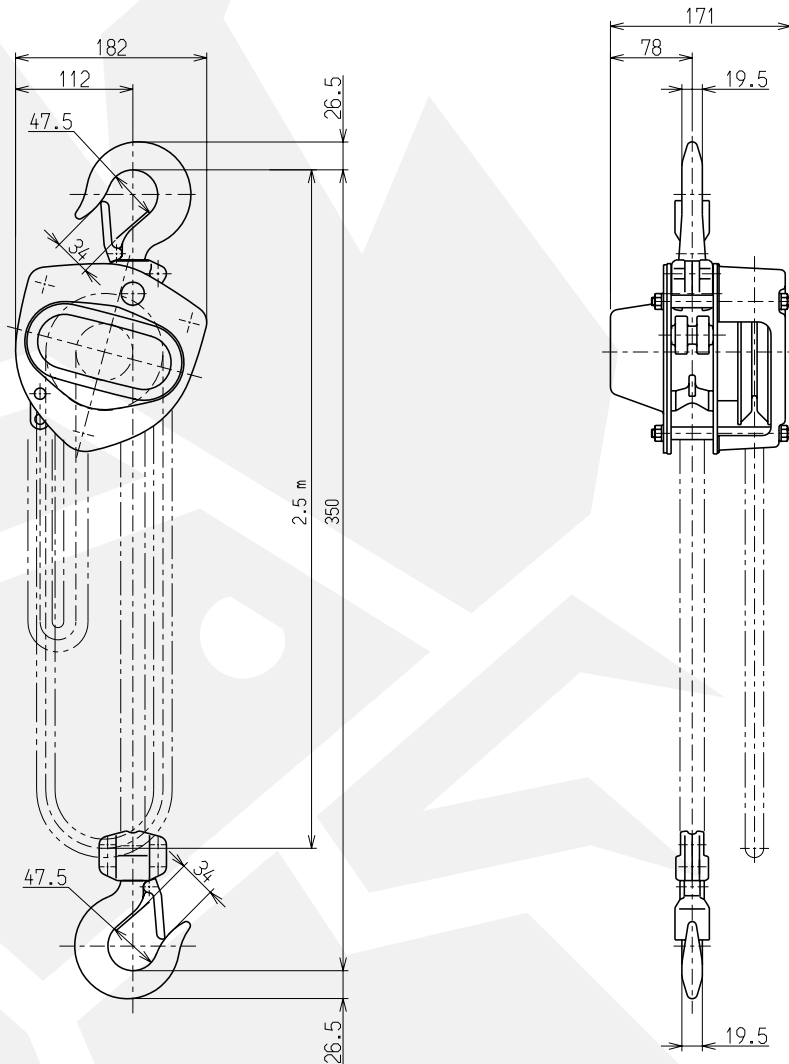
# CB015 | 1.5 TONNE MANUAL CHAIN HOIST

**RED ROOSTER  
LIFTING**

RAISING EXPECTATIONS

## DIMENSIONS

All measurements are in mm  
Information subject to change without notice



| MODEL | WLL            | CHAIN FALL   | CHAIN PULL TO LIFT FULL LOAD | HAND CHAIN LENGTH FOR LIFTING |
|-------|----------------|--------------|------------------------------|-------------------------------|
| CB015 | 1500 kg        | 1            | 35 daN                       | 57 m                          |
| MODEL | LOAD CHAIN DIA | STANDARD HOL | NET WEIGHT                   | WEIGHT FOR ADDITIONAL M HOL   |
| CB015 | 7.1 x 21.2 mm  | 3.0 m        | 14.5 kg                      | 2.1 kg                        |

**KITO**