

# EQ5010IS | 1000 KG ELECTRIC CHAIN HOIST



**RED ROOSTER  
LIFTING**

RAISING EXPECTATIONS

The **EQ5010** is a 1000 kg compact and lightweight single phase electric chain hoist from KITO. This model is just part of Red Rooster Lifting's full range of KITO equipment available.



The EQS single-phase electric chain hoist is as good as the EQ basic model: 1.3 times the hoisting speed at up to 30% of the rated load, 2 hoisting speeds and a maximum lifting height of 15 metres make the EQS electric chain hoist an efficient hoist for flexible applications.

The EQS electric chain hoist with load capacity of 500 kg and 1,000 kg is unbeatable wherever only a standard 220 - 240 V power supply is available.

## STANDARD FEATURES

- Load capacity of 500 kg and 1,000 kg
- 110 V / 220 - 240 V / 50 Hz single-phase
- 24 V control voltage
- Dual lifting speed
- Maximum lifting height 15 m
- Frequency inverter for precise positioning of the load and "No-load High-speed" function
- Eye suspension
- Frequency inverter controlled electronic overload protection and long-life friction clutch as mechanical overload protection
- Operating hours counter / load cycle counter
- Upper and lower limit switch
- Pull-rotor brake, extremely durable and reliable
- Nickel-plated load chain grade T, series DAT (G80) in accordance with standard EN 818-7
- Operating temperature - 20°C up to + 40°C, max. 85% humidity
- Compact aluminium body, sealed (IP55 rated)

## AVAILABLE OPTIONS

- Top hook
- Radio remote control
- Plain trolley
- Safety load hook

T: +44 (0) 1651 872101  
sales@redroosterlifting.com

**REDROOSTERLIFTING.COM**

**KITO**



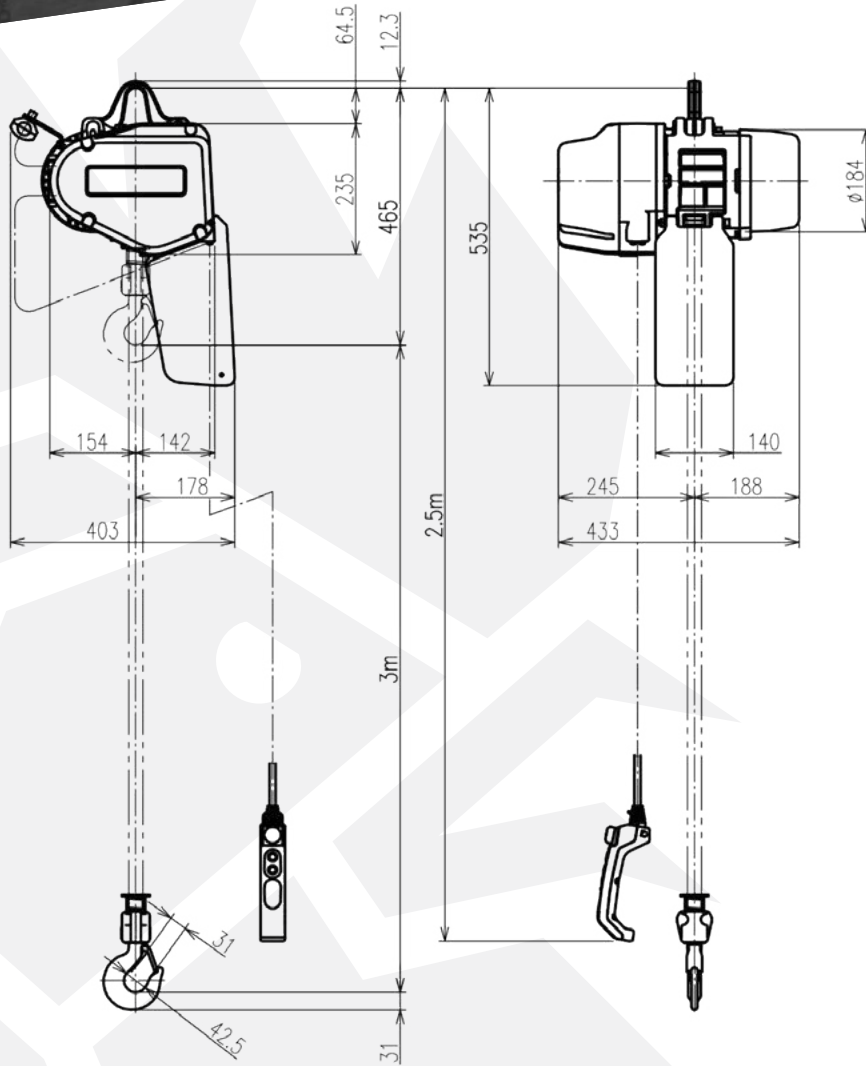
# EQ5010IS | 1000 KG ELECTRIC CHAIN HOIST

**RED ROOSTER  
LIFTING**

RAISING EXPECTATIONS

## DIMENSIONS

All measurements are in mm  
Information subject to change without notice



MODEL	WLL KG	TRAVERSING MOTOR		LIFTING SPEED M/MIN		
		OUTPUT KW	RATING % ED	HIGH 0-30%	HIGH 30-100%	LOW
EQ5010IS	1000	1.5	40/20	9.2	7.1	1.2
MODEL	CLASSIFICATION ISO / FEM	SPEED RATIO	WEIGHT KG	LOAD CHAIN MM		
				DIA	X	FALLS
EQ5010IS	2m	4:1	43	71	x	1

**KITO**