

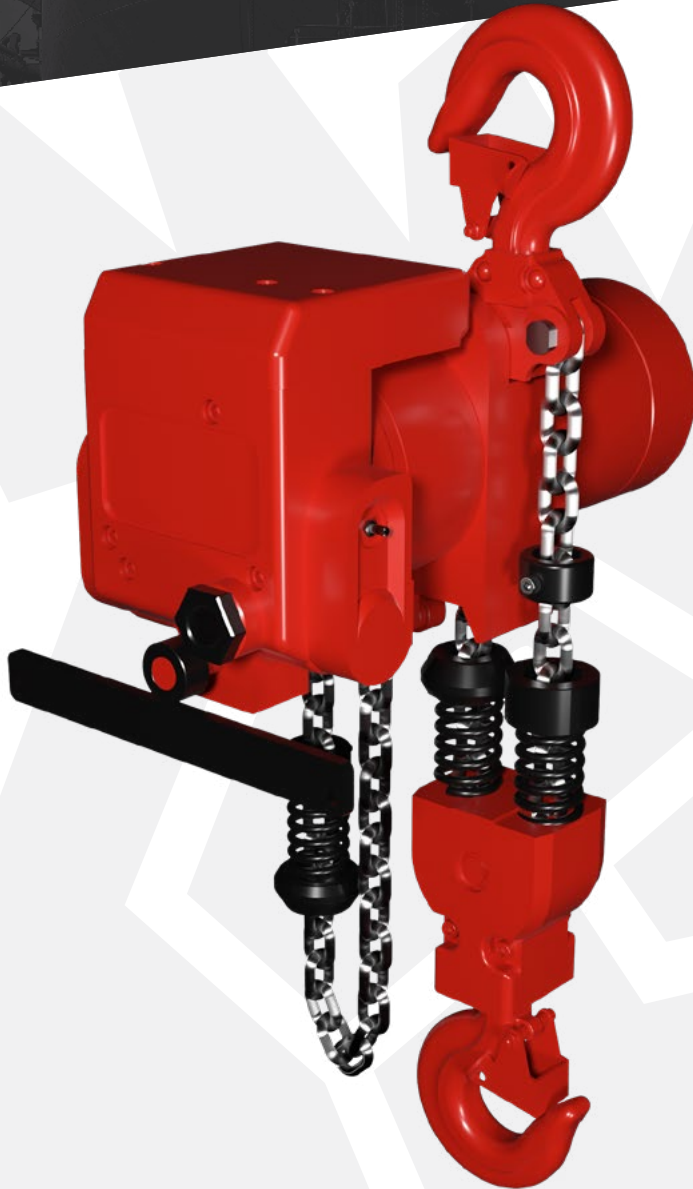
TCR-1000/2 AIR HOIST

The **TCR-1000/2** is a 1000 kg chain hoist from Red Rooster Lifting. This is part of our air hoist hook suspension range for lifting equipment applications in industry.



**RED ROOSTER
LIFTING**

RAISING EXPECTATIONS



The **Red Rooster Lifting** TCR series of air hoists offers a comprehensive range of lifting equipment suited to all types of industrial and marine environments. Red Rooster Lifting hoists are the perfect lifting solution for where the duty is high, or where a robust hoist is required to withstand harsh conditions. The hoists comply with the European Machinery Directive and are all CE marked.

STANDARD FEATURES

- Toku rotary vane motor
- ATEX zone 2 specification
- Robust epicycle gearbox
- Failsafe automatic internal disc brake
- Mechanical upper & lower switches
- Cast steel housing
- Internal silencing down to 83 dB(A)
- Alloy safety swivel hooks with safety catch
- Load chain 6.3 x 19mm of European manufacture to EN818-7
- Automatic load limiter

AVAILABLE OPTIONS

- Marine specification
- Special paint systems
- Corrosion protection
- ATEX zone 1 specification
- Chain collectors (PVC, galvanised or stainless steel)
- Air service units
- Festoon systems
- Radio control
- Main air shut off valve



**ATEX ZONE 2
AS STANDARD**

T: +44 (0) 1651 872101
sales@redroosterlifting.com

REDROOSTERLIFTING.COM

Red Rooster Lifting Limited Nauta House, The Meadows, Oldmeldrum, Inverurie, Aberdeenshire, UK, AB51 0EZ

TCR-1000/2 AIR HOIST

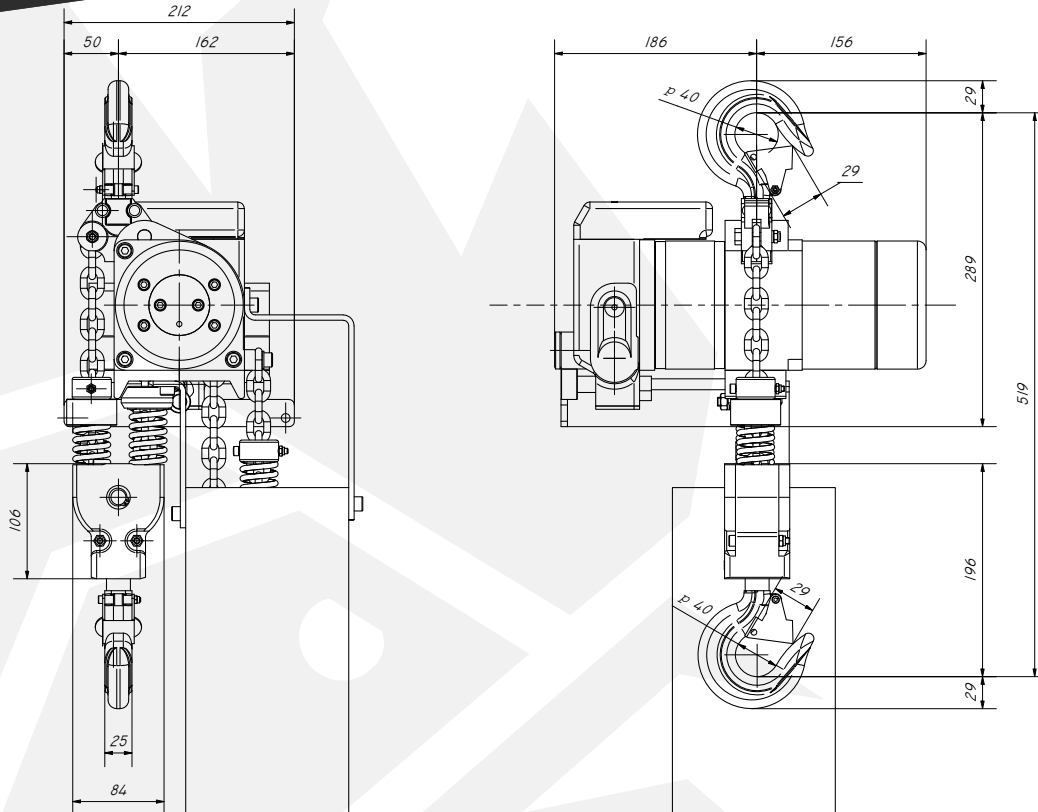


**RED ROOSTER
LIFTING**

RAISING EXPECTATIONS

DIMENSIONS

All measurements are in mm
Information subject to change without notice



| HOIST MODEL | TCR-1000/2 |
|----------------------------|------------|
| WLL | 1000 kg |
| CHAIN FALLS | 2 |
| LIFTING SPEED WITH LOAD | 5.3 m/min |
| LIFTING SPEED WITHOUT LOAD | 9.5 m/min |
| LOWERING SPEED WITH LOAD | 9.0 m/min |
| AIR CONSUMPTION LIFTING | 25 l/sec |
| AIR CONSUMPTION LOWERING | 27 l/sec |
| WORKING PRESSURE | 6 Bar |
| AIR CONNECTION | 1/2" BSP |
| MINIMUM HOSE DIA. | 1/2" |
| WEIGHT 3M HOL | 35.2 kg |
| ADDITIONAL METRE HOL | 1.6 kg |

T: +44 (0) 1651 872101
sales@redroosterlifting.com