

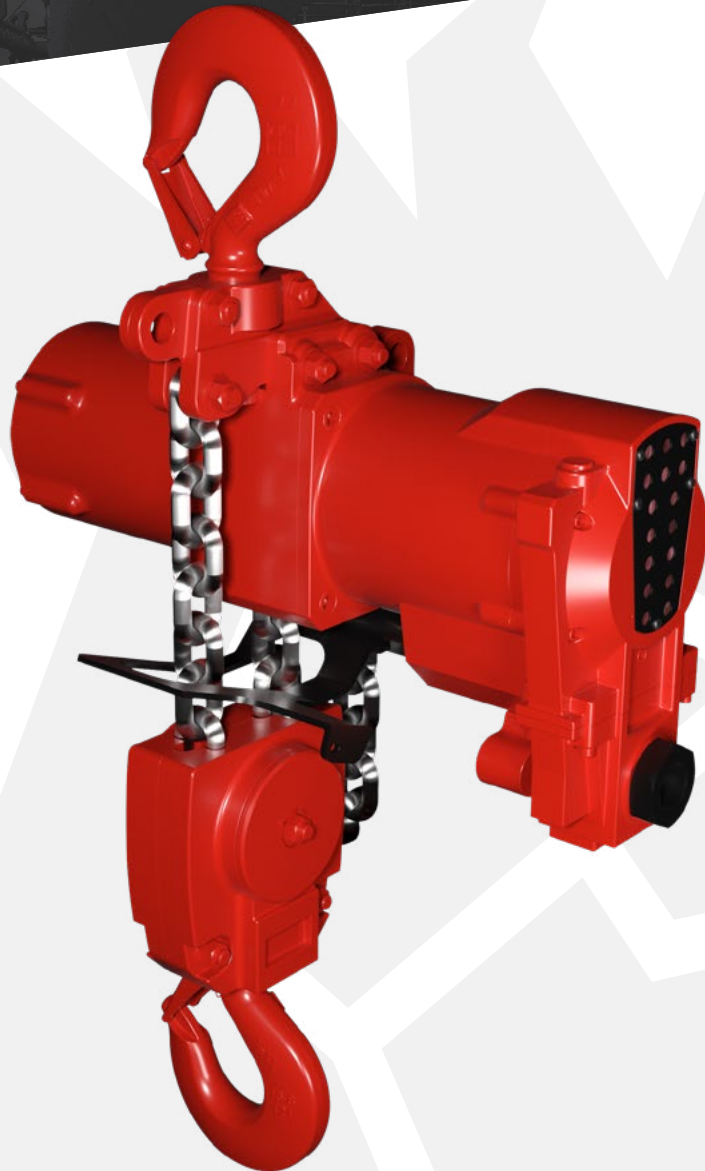
# TMH-6000/2 AIR HOIST

The **TMH-6000/2** is a 6 tonne chain hoist from Red Rooster Lifting. This is part of our hook suspension air hoist range for lifting equipment applications in industry.



**RED ROOSTER  
LIFTING**

RAISING EXPECTATIONS



The new **Red Rooster Lifting** TMH series air hoists have the highest lifting speed with the lowest headroom on the hoist market. With the high M4 classification of mechanism (ISO 4301-1) this high speed air hoist is extremely durable and will guarantee the continuity of your process. The TMH hoists are designed to operate at full lifting capacity with an air pressure from 4 – 6.3 bar. For full speed operation the hoist air pressure should be 6.3 bar.

## STANDARD FEATURES

- Toku rotary vane motor
- ATEX zone 2 specification
- Robust 3 step planetary gearbox
- Failsafe automatic internal disc brake
- Mechanical upper & lower switches
- Cast steel housing
- Internal silencing down to 80 dB(A)
- Alloy safety swivel hooks with safety catch
- Load chain 13 x 36mm of European manufacture to EN818-7
- Automatic load limiter

## AVAILABLE OPTIONS

- Marine specification
- Special paint systems
- Corrosion protection
- ATEX zone 1 specification
- Chain collectors (galvanised or stainless steel)
- Air Service units
- Festoon systems
- Radio control



**ATEX ZONE 2  
AS STANDARD**

T: +44 (0) 1651 872101  
sales@redroosterlifting.com

**REDROOSTERLIFTING.COM**

**Red Rooster Lifting Limited** Nauta House, The Meadows, Oldmeldrum, Inverurie, Aberdeenshire, UK, AB51 0EZ

# TMH-6000/2 AIR HOIST

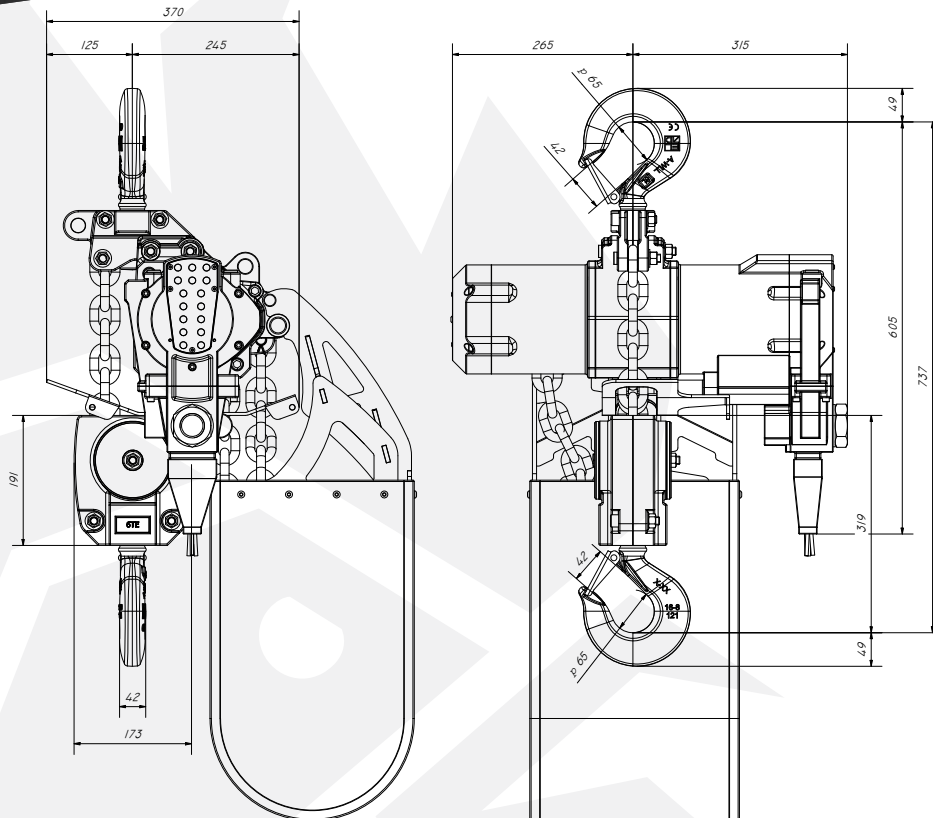


**RED ROOSTER  
LIFTING**

RAISING EXPECTATIONS

## DIMENSIONS

All measurements are in mm  
Information subject to change without notice



HOIST MODEL	TMH-6000/2
WLL	6000 kg
CHAIN FALLS	2
LIFTING SPEED WITH LOAD	2.7 m/min
LIFTING SPEED WITHOUT LOAD	5.4 m/min
LOWERING SPEED WITH LOAD	5.1 m/min
AIR CONSUMPTION LIFTING	56 l/sec
AIR CONSUMPTION LOWERING	68 l/sec
WORKING PRESSURE	4 - 6 Bar
AIR CONNECTION	1" BSP
MINIMUM HOSE DIA.	3/4"
AIR SERVICE	1" FLR
WEIGHT 3M HOL	124 kg
ADDITIONAL METRE HOL	7.6 kg

T: +44 (0) 1651 872101  
sales@redroosterlifting.com